



IEC 60417-6182:  
Installation,  
electrotechnical expertise



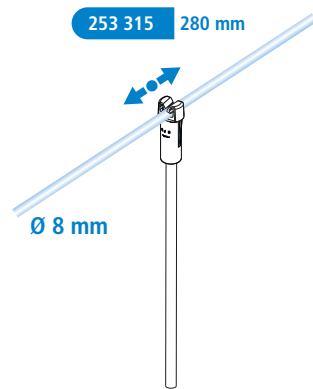
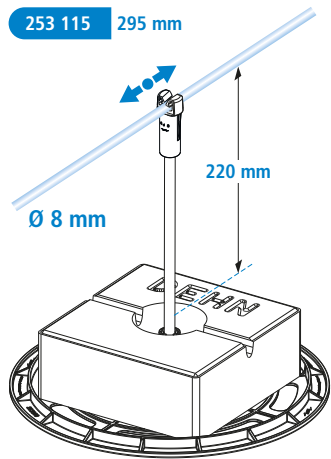
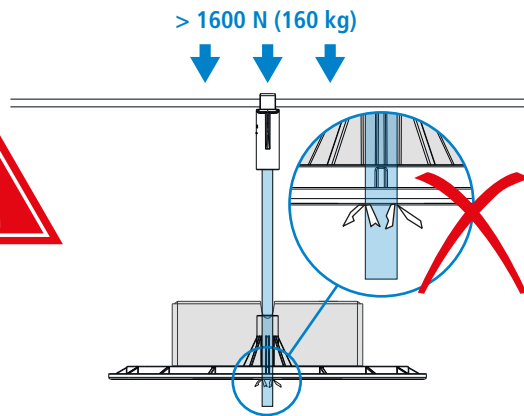
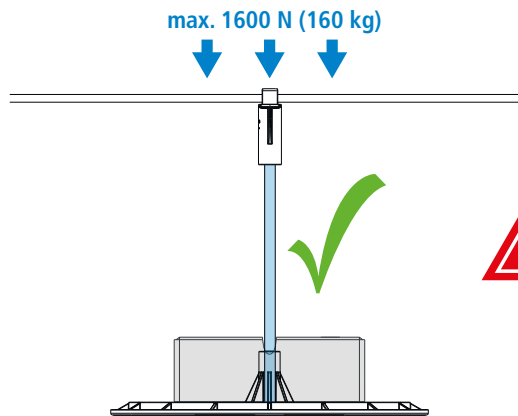
IEC 60417-6183:  
Installation,  
mechanical expertise



DIN/IEC TS 62561-8

$k_m = 0.7$

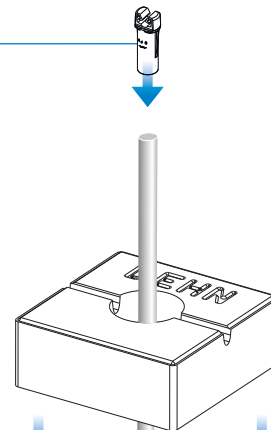
500 mm → 5 Nm



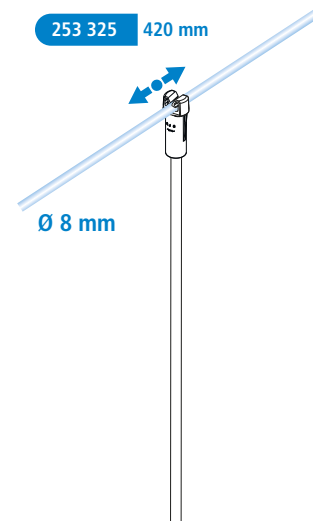
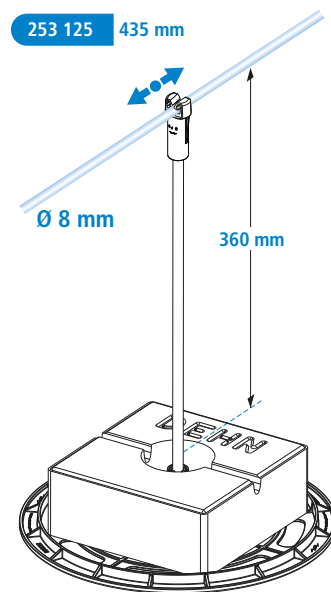
253 310 GFK/GRP L: 3000 mm Ø 10 mm



253 302



253 301



253 300

