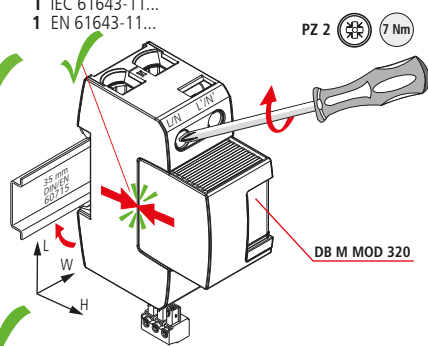


DEHNbloc modular DB M 1 320 (FM)

- DE Einbauanleitung
- GB Installation instructions
- IT Istruzioni di montaggio
- FR Instructions de montage
- NL Montagehandleiding
- ES Instrucciones de montaje
- PT Instruções de montagem
- DK Monteringsvejledning
- SE Monteringsanvisning
- FI Asennusohje
- GR Οδηγίες συναρμολόγησης
- PL Instrukcja montażu
- CZ Montážni návod
- TR Kurulum Talimatları
- RU Инструкция по монтажу
- CN 安装说明
- HU Szerelési útmutató
- JP 設置説明書

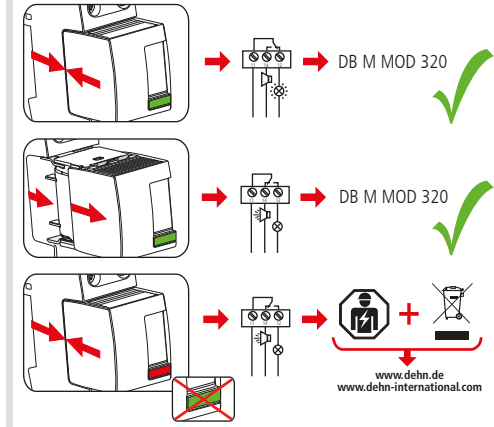
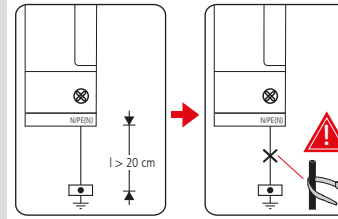


I IEC 61643-11...
1 EN 61643-11...

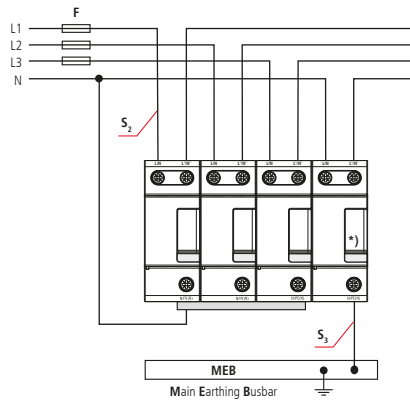


U_N / Tol.: $\pm 10\%$	277 V (50/60 Hz)
U_C	320 V (50/60 Hz)
I_n	50 kA _{rms}
I_{SCCR}	50 kA _{rms}
I_{imp} 10/350 μ s	25 kA
max. I_{imp} 2)	125 A gG
max. I_{imp} 3)	315 A gG
θ°	-40°C ... + 80°C (... +60°C 2))
Φ	5% ... 95%
I_{FE}	< 1 mA
IP 1)	20
L x W x H	90 mm x 36 mm x 73 mm

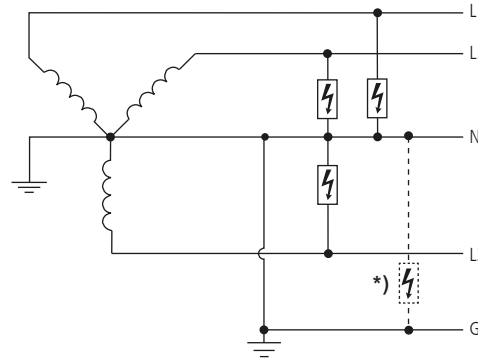
max. \square L/N, N/PE(N)	35 mm ²	50 mm ²
max. \square L'/N'	25 mm ²	35 mm ²
min. \square L/N, L'/N', N/PE(N)	10 mm ²	
\square	16 mm ² Cu	≥ 15.5 mm



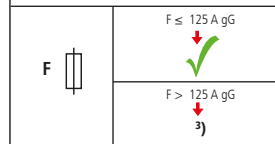
2) 3 Ph Y, 4W+G 277 / 480 V



***) Note:** If the DEHNbloc DB M 1 320 (FM), (secondary surge arrester) are installed more than six conductor feet (two meters) from the neutral to ground bond point (usually service entrance), then an additional DEHNbloc should be installed between neutral and ground.

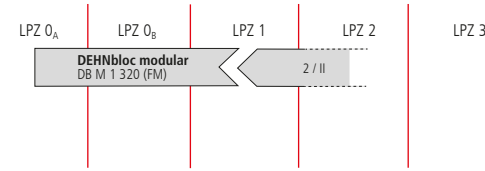


DEHNbloc modular DB M 1 320 (FM)

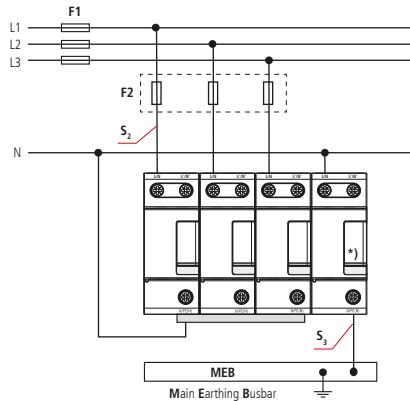


F	S_2 / mm ²	S_3 / mm ²
25	10	16
35	10	16
40	10	16
50	10	16
63	10	16
80	16	16
100	25	25
125	35	35

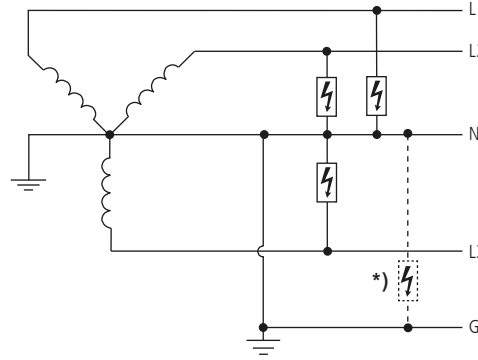
DEHNbloc modular DB M 1 320 FM	
U_N / I_n	AC: 250 V / 0.5 A
	DC: 250 V / 0.1 A
	125 V / 0.2 A
	75 V / 0.5 A
max. 1.5 mm ²	



3) 3 Ph Y, 4W+G 277 / 480 V



***) Note:** If the DEHNbloc DB M 1 320 (FM), (secondary surge arrester) are installed more than six conductor feet (two meters) from the neutral to ground bond point (usually service entrance), then an additional DEHNbloc should be installed between neutral and ground.



DEHNbloc modular DB M 1 320 (FM)

Protection against short circuit / Kurzschlußschutz			
	$I_k \leq 50$ kA _{rms}	$I_k > 50$ kA _{rms}	
F1	F1 \leq 315 A	F1 \leq 200 A	
F2	F2 \leq 315 A	F2 \leq 200 A	

F1 / A	S_2 / mm ²	S_3 / mm ²	F2 / A gG
... 80	10	16	---
100 ... 125	16	16	---
160	25	25	---
200 ... 250	35	35	---
315	50	50	---
> 315	50	50	315

