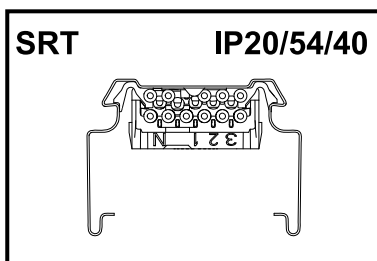


SRT-System 19.....

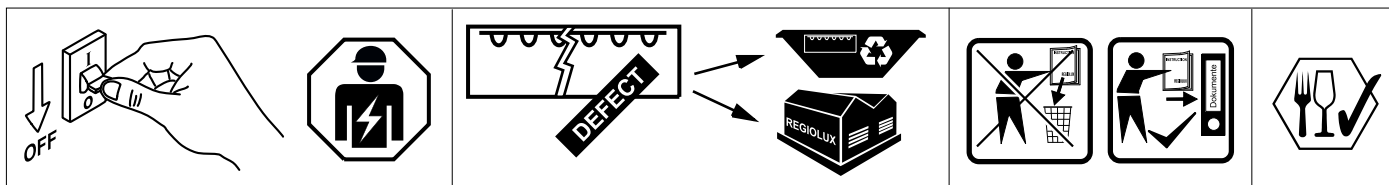
- SRT 0750 7x2,5 qmm
- SRT 0750 11x2,5 qmm
- SRT 1500 7x2,5 qmm
- SRT 1500 5x2,5+6x1,5 qmm
- SRT 2250 7x2,5 qmm
- SRT 2250 5x2,5+6x1,5 qmm

- SRT 0750 HFFR 7x2,5 qmm
- SRT 0750 HFFR 11x2,5 qmm
- SRT 1500 HFFR 7x2,5 qmm
- SRT 1500 HFFR 11x2,5 qmm
- SRT 2250 HFFR 7x2,5 qmm
- SRT 2250 HFFR 11x2,5 qmm

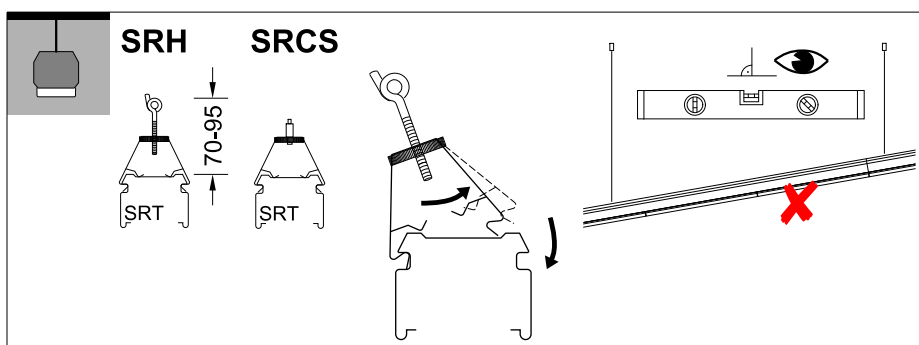
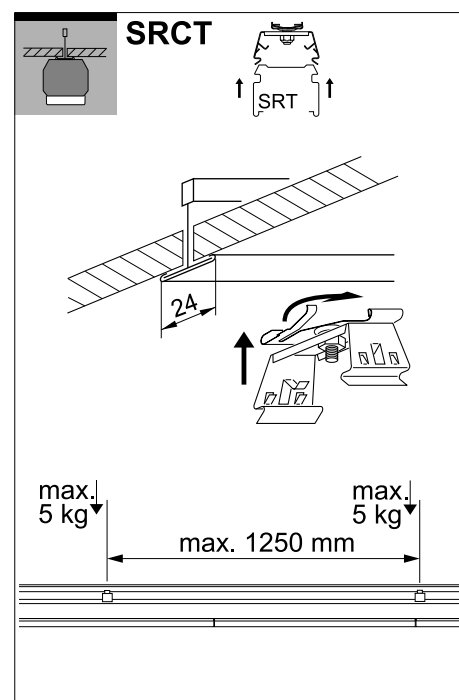
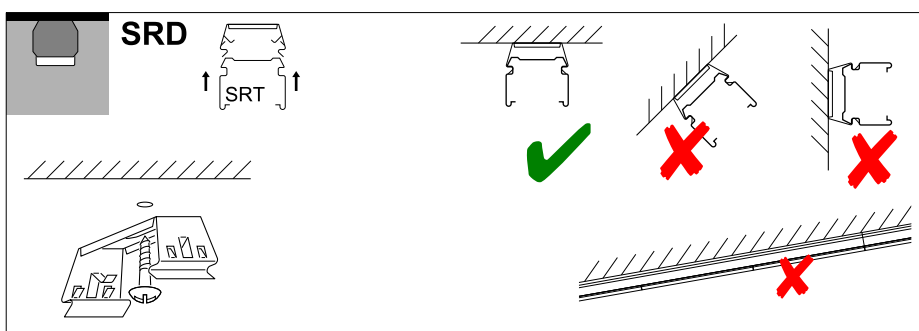
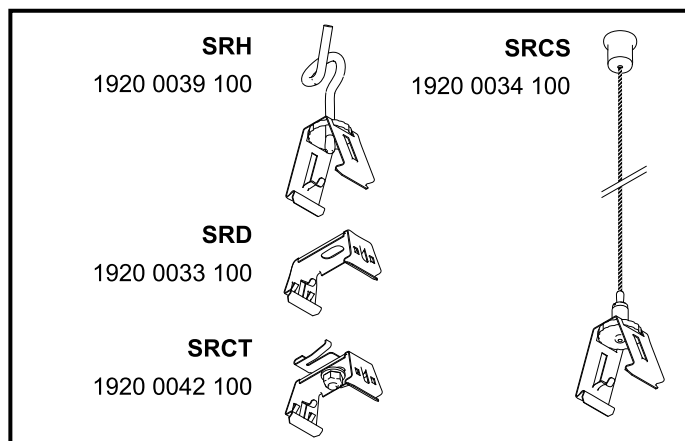


REGIOLUX

Regiolux GmbH
 Hellinger Str. 3
 D-97486 Königsberg/Bay.
 Telefon (0 95 25) 89-0
 Telefax (0 95 25) 89 73 4
<http://www.regiolux.de>
 e-Mail: info@regiolux.de



INSTRUCTION



Art-Nr.: 532302 - 02/2022

INSTRUCTION



SRG... > 2,9 kg



SRG.../1500 < 2,9 kg SRG.../2250

SRT 1500/I = 750 mm
SRT 1500/II = 1535 mm
SRT 1500/III = 1535 mm
SRT 2250/I = 1535 mm
SRT 2250/II = 1535 mm



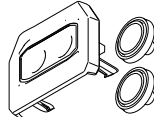
IP20

SRTE
1920 0231 10.



IP40 / IP54

SRTES
1920 0235 10.



INSTRUCTION



IP20 / IP40

SRTV

1920 0020 100



SRTVL

1920 0031 100



IP54

SRTVLS

1920 0050 100



SRTV

1



SRTVL/SRTVLS



max 2 Nm
Torx 20



2



3

4

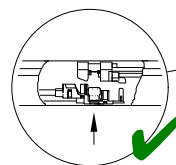
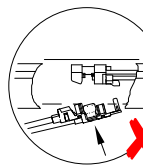
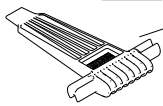
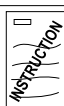


6

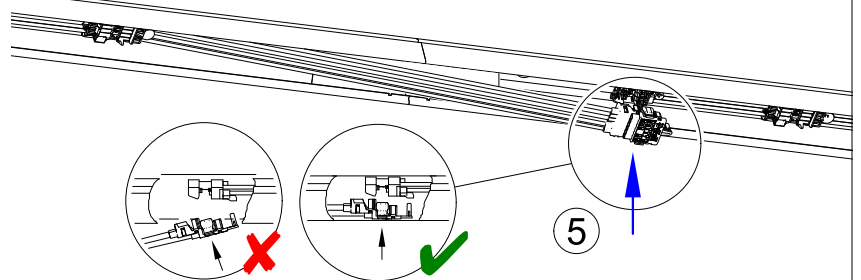


push+click push+click

optional
SRT/SDT-MT
19209000100



5



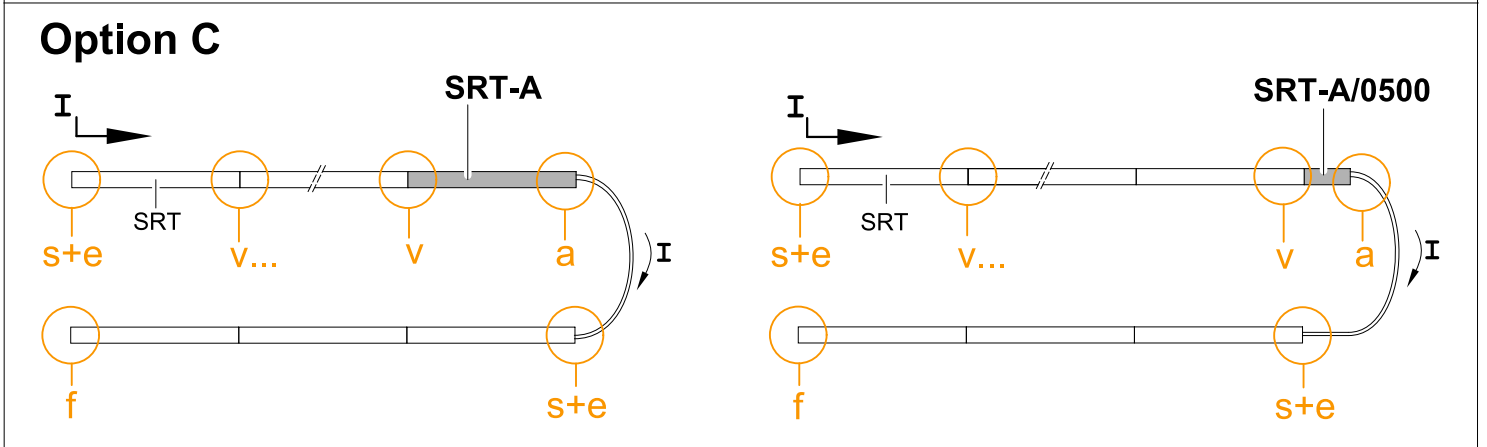
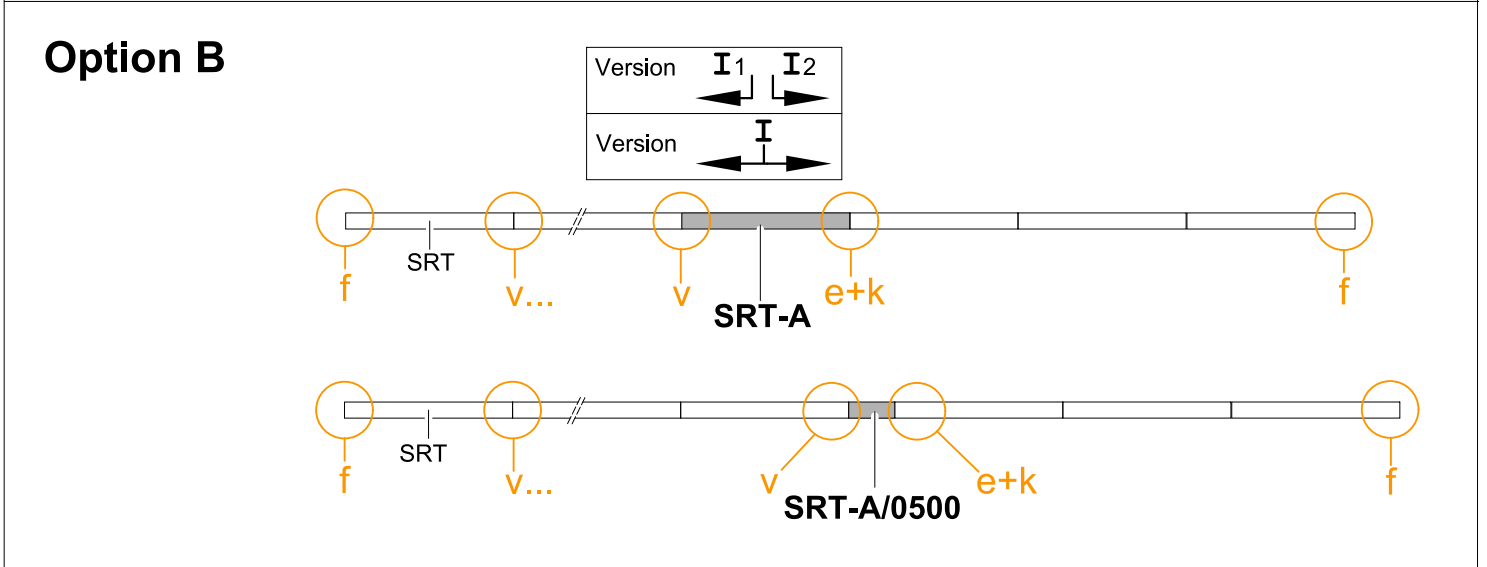
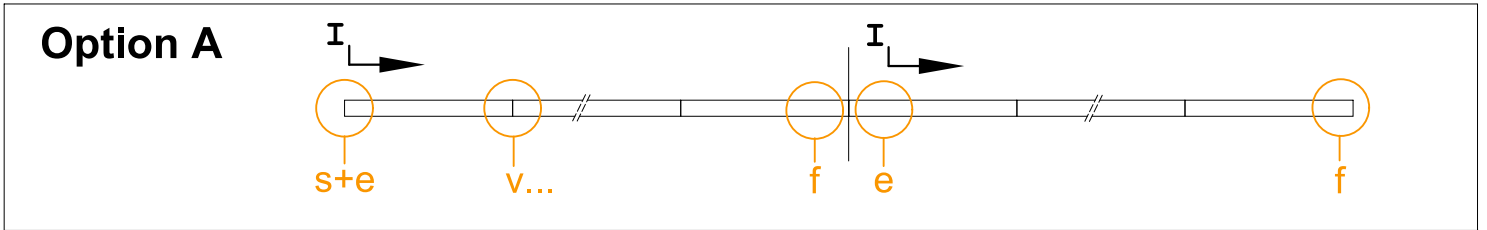
INSTRUCTION



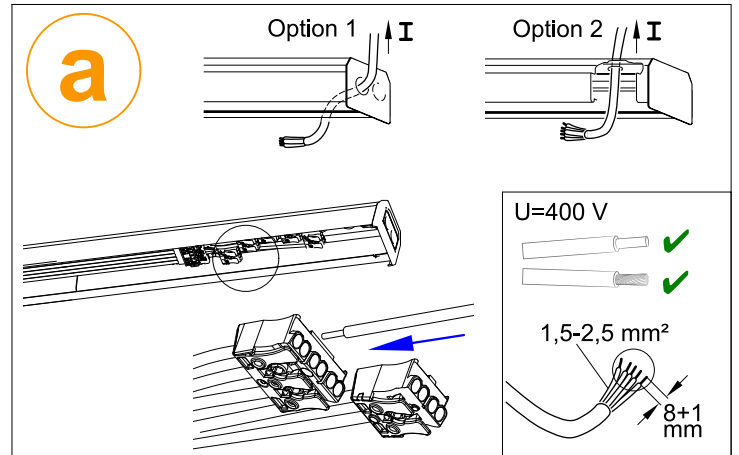
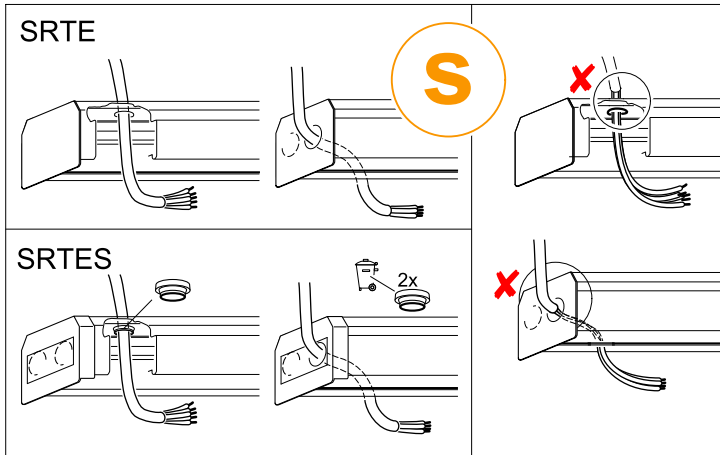
INSTRUCTION	SRTA-11E 1920 0085 100		SRTA-7E 1920 0084 100	

INSTRUCTION	SRT-11A / SRT-7A 1920 008. 10.	

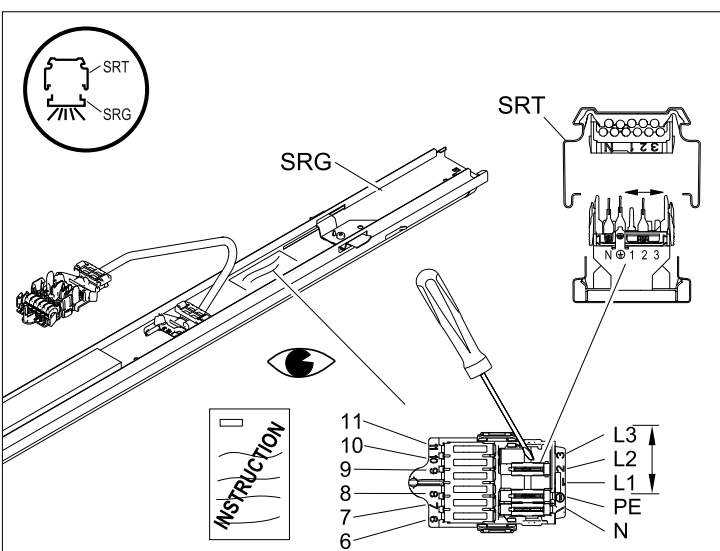
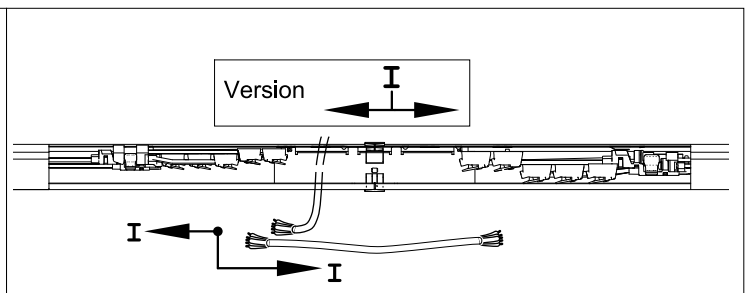
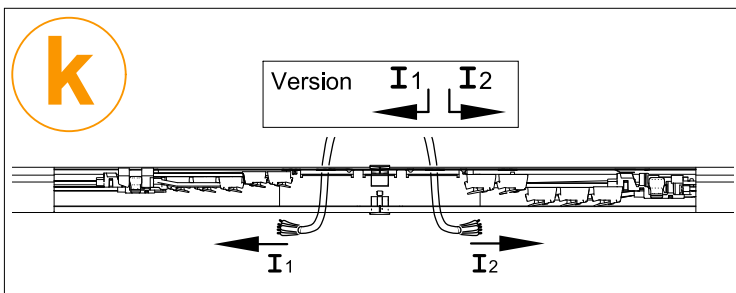
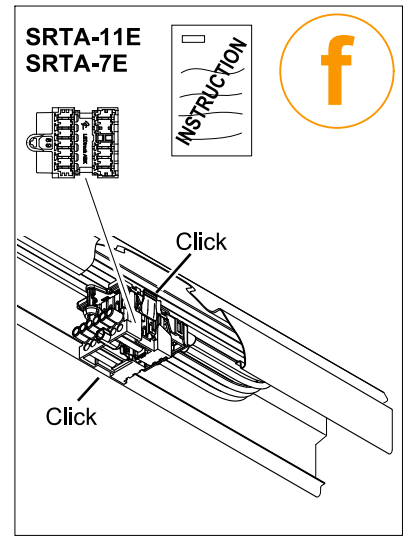
INSTRUCTION	SRT-11A/0500 INKL. SRBK+SRTVL 1920 0013 ...	SRT-11A/0500 INKL. SRBKS+SRTVLS IP54 1920 0015 ...
	SRT-7A/0500 INKL. SRBK+SRTVL 1920 0012 ...	SRT-7A/0500 INKL. SRBKS+SRTVLS IP54 1920 0014 ...
IP20 / IP40		IP54



INSTRUCTION



Leitung	I max.										
	N	PE	1	2	3	6	7	8	9	10	11
7 x 2,5mm²	0		16 A	16 A	16 A					16 A	16 A
5 x 2,5mm²+ 6 x 1,5mm²	0		16 A	16 A	16 A	10 A	10 A	1 A	1 A	1 A	1 A
11 x 2,5mm²	0		16 A	16 A	16 A	10 A	10 A	1 A	1 A	1 A	1 A



SRBK 750/1500/2250

SRBA / SRBAS 1500

SRBKS 750/1500

SRBA SRBAS 2250

↑ "click!"

Demontage

