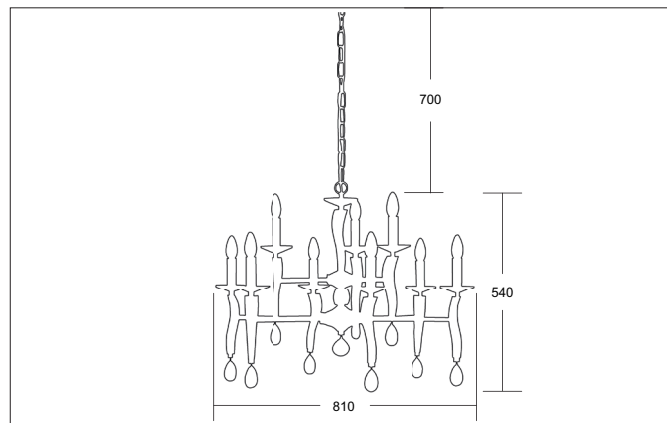


**GIRATA Pendant light shiny chrome, with crystals**

Article no. 859059

Light.  
For Generations.**Tender**

Pendant light shiny chrome, with crystals, glossy chrome, Other. Surface mounting, Ceiling-mounted. Surface-mounted pendant light, with crystals. Lamp holder: E14, Mounting method: Surface mounting, Place of installation: Ceiling-mounted, Material: Cast Brass / Crystal, Degree of protection: according to DIN EN 60529 IP20, Protection class: (EN 61140) I, Voltage: 230V AC 50Hz, Power: 40 W, Amount of light sources / fittings: 9 Qty, without control gear, Control: Other.

Article data	
Article no.	859059
GTIN	4250047748724
Series name	GIRATA
Short description	Pendant light shiny chrome, with crystals
Material	Other
Colour	Chrome
Type of surface	Glossy
Shape	Other
Outer diameter	810 mm
Height	540 mm
Scope of delivery	incl. 700 mm chain and canopy
Weight	11.300 kg
Conformance	CE

**GIRATA Pendant light shiny chrome, with crystals**

Article no. 859059

Light.  
For Generations.

Operating technology of the luminaire	
Voltage type	AC
AC nominal voltage max	230 V
Frequency max	50 Hz
Lamp	Incandescent lamp
Lamp holder	E14
Protection class	I
Degree of protection	IP20
Control	Other
Bulb change possible	Yes

Mounting technology	
Mounting method	Surface mounting
Place of installation	Ceiling-mounted
Adjustability	Not adjustable
Pendulum length min.	100 mm
Pendulum length max.	700 mm
Material cover	Without cover

Packing data	
Gross weight	13 kg
Length of packaging	910 mm
Packaging width	910 mm
Packaging height	760 mm
Disposal at end of life	This product must not be disposed of with household waste. You are obliged, to dispose of such electrical waste separately. By disposing of electrical waste and other old or defective electronics separately, you support recycling or other forms of re-use. In that way you help to take care and to avoid that harmful substances get into the environment.