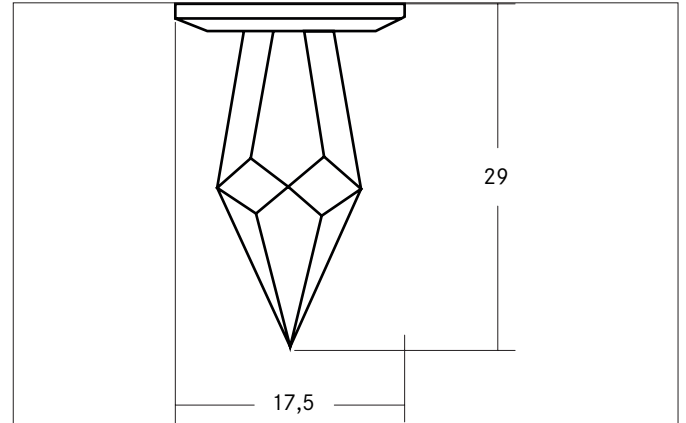


LEDspark MAXI LED recessed light point

Article no. 12003034

Light.
For Generations.**Tender**

LED recessed light point, Round. Ceiling cut-out \varnothing 10 mm, Installation depth 20 mm, Outer diameter 17,5 mm, Weight 0,030 kg, with rotationssymmetrical, deep, wide distributed light intensity. Power 1 x 0,3 W, Light colour neutral white, Correlated color temperature (CCT) 4.000 K, Colour rendering index , Housing material: Brass / Crystal glass, Colour: Chrome, Permissible ambient temperature (ta): -20 °C - +25 °C, Protection class (EN 61140): III, Degree of protection (DIN EN 60529): IP20, .For connection to an external driver, which is not included in the scope of delivery of the luminaire. Depending on driver dimmable.

Article data	
Article no.	12003034
GTIN	4251433981558
Series name	LEDspark MAXI
Short description	LED recessed light point
Material	Brass / Crystal glass
Colour	Chrome
Type of surface	Matt
Shape	Round
Outer diameter	17.5 mm
Built-in diameter	10 mm
Installation depth	20 mm
Hight	29 mm
Scope of delivery	incl. 1.800 mm connection cable
Weight	0.030 kg
stamp	UKCA

LEDspark MAXI LED recessed light point

Article no. 12003034

Light.
For Generations.

Lighting technology	
Colour temperature	4.000 K
Light output	Direct
System efficiency	0 lm/W
Reflector	Without
Light sharing	Symmetric
Adjustable color temperature	No

Operating technology of the luminaire	
Voltage type	DC
DC nominal voltage max	12 V
Lamp	LED
Protection class	III
Degree of protection	IP20
Dimmable	Depending on type of control gear
Control	Depending on driver
Bulb change possible	The light source of this luminaire may only be replaced by the manufacturer or a service technician commissioned by him or a similarly qualified person.

Mounting technology	
Mounting method	Recessed mounting
Place of installation	Ceiling-mounted
Adjustability	Not adjustable
Further references	No cover with thermal insulation material

Packing data	
Gross weight	0.045 kg
Length of packaging	70 mm
Packaging width	47 mm
Packaging height	81 mm
Disposal at end of life	This product must not be disposed of with household waste. You are obliged, to dispose of such electrical waste separately. By disposing of electrical waste and other old or defective electronics separately, you support recycling or other forms of re-use. In that way you help to take care and to avoid that harmful substances get into the environment.