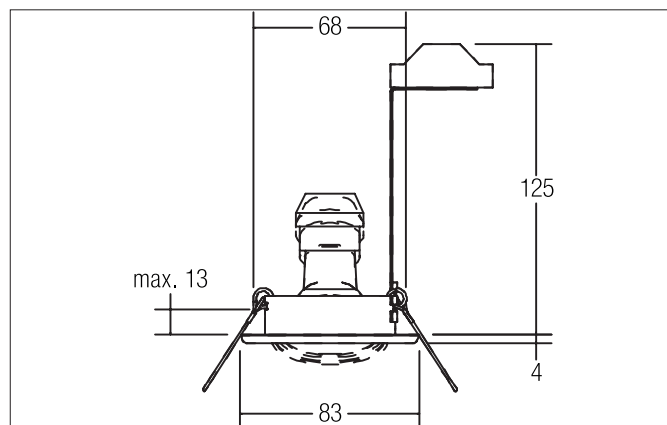


FALITO Recessed spot, GZ10

Article no. H2191.07


Tender

Recessed spotlight, GZ10, glossy white, round. Designed in a compact design for tool-free, quick installation in ceilings. Incl. bracket with GZ10 socket for standard-compliant strain relief. Version: GZ10, Mounting type: Recessed mounting, Mounting location: Ceiling mounting, Material: Stainless steel, Protection rating on room side: to DIN EN 60529: IP20, Protection class: (EN 61140) II, Voltage: 230V AC 50Hz, Power: 10 W, Number of bulbs / sockets: 1 each, Adjustability: Swivel, without control gear, Type of dimming: Other.

Product Benefits

- Recessed spotlight in round design made of V2A stainless steel for LED retrofit lamps with GU10 / GZ10 base.
- Incl. bracket for standard-compliant strain relief.
- Ceiling cut-out 68 mm, diameter 83 mm, installation depth 125 mm, IP20.
- Pivoting range 25°.
- Version: with snap ring.
- Classic, formally restrained design.
- Also available as a GX5.3 version with the same look.

FALITO Recessed spot, GZ10

Article no. H2191.07

Article data	
Article no.	H2191.07
GTIN	4250047712725
Series name	FALITO
Short description	Recessed spot, GZ10
Material	Stainless steel
Colour	White
Type of surface	Glossy
Shape	Round
Outer diameter	80 mm
Built-in diameter	68 mm
Installation depth	125 mm
Hight	4 mm
Weight	0.140 kg
Conformance	CE, UKCA

Operating technology of the luminaire	
System output	10 W
Voltage type	AC
AC nominal voltage max	230 V
Frequency max	50 Hz
Lamp	For LED-retrofill lamp
Lamp holder	GZ10
Protection class	II
Degree of protection	IP20
Control	Other
Bulb change possible	Yes

Mounting technology	
Mounting method	Recessed mounting
Place of installation	Ceiling-mounted
Adjustability	Pivoted
Swivel angle	25°
Max. ceiling thickness	13 mm
Further references	No cover with thermal insulation material
Material cover	Without cover
Circlip	With circlip

Packing data	
Gross weight	0.204 kg
Length of packaging	100 mm
Packaging width	100 mm
Packaging hight	100 mm
Disposal at end of life	<p>This product must not be disposed of with household waste. You are obliged, to dispose of such electrical waste separately.</p> <p>By disposing of electrical waste and other old or defective electronics separately, you support recycling or other forms of re-use. In that way you help to take care and to avoid that harmful substances get into the environment.</p>