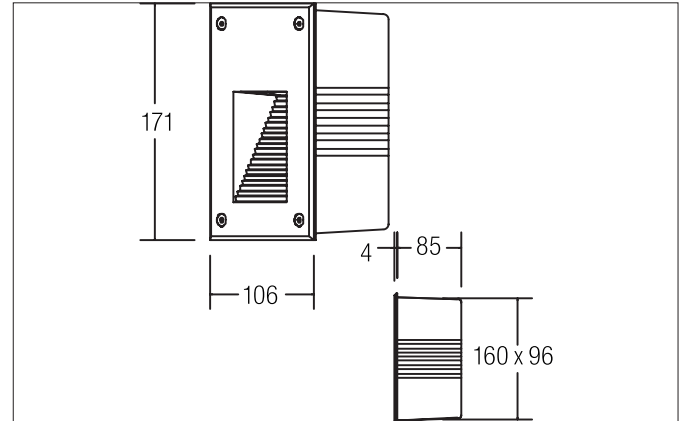


**LED wall recessed light, IP65**

Article no. 60207183

Light.  
For Generations.**Tender**

LED wall recessed light, IP65, black structure, Rectangular. Recessed mounting, Wall-mounted Mounting method: Recessed mounting, Place of installation: Wall-mounted, Material: Aluminium / Plastic, Degree of protection: according to DIN EN 60529 IP65, Protection class: (EN 61140) I, Voltage: 230V AC 50Hz, Power: 2W, Amount of light sources / fittings: 1.0 Qty, Luminous flux: 100lm, Colour temperature: 3.000 K, Light colour : White, With control gear: Yes, Control: on/off.

Article data	
Article no.	60207183
GTIN	4250047781547
Short description	LED wall recessed light, IP65
Material	Aluminium
Colour	Black
Shape	Rectangular
Built-in width	96 mm
Built-in length	96 mm
Installation depth	85 mm
Width	106 mm
Hight	171 mm
Scope of delivery	including a converter for connection with the 230-V mains voltage, switchable and wall mounting housing
Weight	0.770 kg

**LED wall recessed light, IP65**

Article no. 60207183

Light.  
For Generations.

Lighting technology	
Colour temperature	3.000 K
Light colour	White
Luminous flux	100 lm
System efficiency	50 lm/W
Colour rendering	CRI > 80

Operating technology of the luminaire	
System output	2 W
Voltage type	AC
AC nominal voltage max	230 V
Frequenz max.	50 Hz
Lamp	LED
Protection class	I
Degree of protection	IP65
Control	on/off

Mounting technology	
Mounting method	Recessed mounting
Place of installation	Wall-mounted
Adjustability	Not adjustable

Packing data	
Gross weight	0.91 kg
Length of packaging	200 mm
Packaging width	110 mm
Packaging height	120 mm
Disposal at end of life	This product must not be disposed of with household waste. You are obliged, to dispose of such electrical waste separately. By disposing of electrical waste and other old or defective electronics separately, you support recycling or other forms of re-use. In that way you help to take care and to avoid that harmful substances get into the environment.