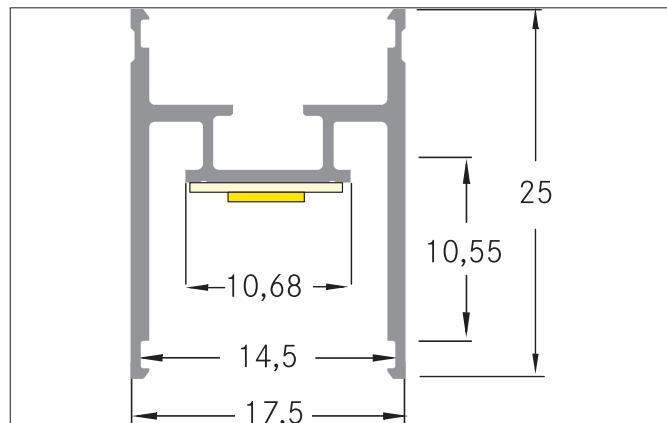


P02-10 Surface-mounted profile

Article no. 53605260

Light.
For Generations.**Tender**

Surface-mounted profile, alu anodized. For optimal attachment of the profile this holders are suitable 53034000. For connecting of two profiles is the connector 53030000 optimal suited. With the use of profile covers 53440000 53440070 53440080 the additional mechanical protection and optimal light distribution can be achieved. The associated end cap set is under 53087260 available. Mounting method: Mounting profile. Material: Aluminium, dimensions profile: length: 2.000 mm x width: 17,5 mm x height: 25 mm

Product Benefits

- High surface-mounted profile.
 - Available in black and anodized aluminum.
 - Up to 6 meters in length in one piece.
- (For deliveries beyond 2000 mm: please ask for delivery costs separately).
- High quality accessories.
 - Covers on roll, up to 80 meters in one piece.
 - Connector for optimal extension of the profiles to one line.

Article data	
Article no.	53605260
GTIN	4251433911524
Series name	P02-10
Short description	Surface-mounted profile
Material	Aluminium
Colour	Alu
Length	2,000 mm
Width	17.5 mm
Height	25 mm
Weight	0.543 kg

P02-10 Surface-mounted profile

Article no. 53605260

Light.
For Generations.

Packing data	
Gross weight	0.946 kg
Length of packaging	2,020 mm
Packaging width	80 mm
Packaging height	40 mm
Note	Please note that the materials aluminium and PMMA or PC can expand differently with changes in temperature! At a temperature change of 10°C, the coefficient of expansion is approx. aluminium is approx. 0.7mm per metre, for plastic approx. 1.5mm per metre. This is not a defect in the product, this is a normal physical process.
Disposal at end of life	This product must not be disposed of with household waste. You are obliged, to dispose of such electrical waste separately. By disposing of electrical waste and other old or defective electronics separately, you support recycling or other forms of re-use. In that way you help to take care and to avoid that harmful substances get into the environment.