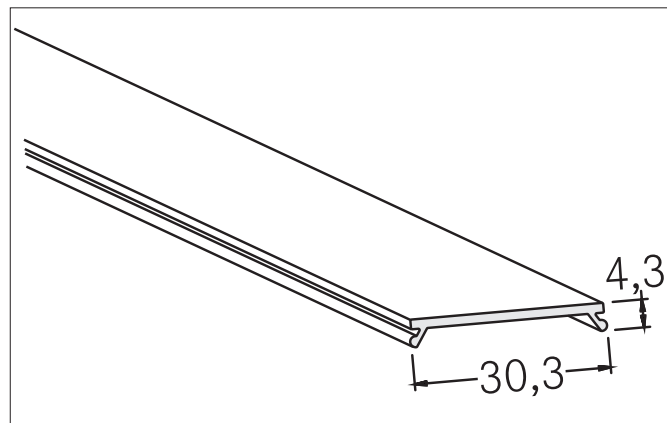


**Covers**

Article no. 53404000

Light.  
For Generations.**Tender**

Covers,. Material: PMMA, dimensions profile: length: 2.000 mm x width: 30,3 mm x height: 4,3 mm

Article data	
Article no.	53404000
GTIN	4251433912682
Short description	Covers
Material	PMMA
Colour	Clear
Transmittance	95 %
Length	2,000 mm
Width	30.3 mm
Hight	4.3 mm
Weight	0.042 kg

**Covers**

Article no. 53404000

Light.  
For Generations.

Packing data	
Gross weight	0.422 kg
Length of packaging	2,020 mm
Packaging width	45 mm
Packaging height	45 mm
Note	Please note that the materials aluminium and PMMA or PC can expand differently with changes in temperature! At a temperature change of 10°C, the coefficient of expansion is approx. aluminium is approx. 0.7mm per metre, for plastic approx. 1.5mm per metre. This is not a defect in the product, this is a normal physical process.
Disposal at end of life	This product must not be disposed of with household waste. You are obliged, to dispose of such electrical waste separately. By disposing of electrical waste and other old or defective electronics separately, you support recycling or other forms of re-use. In that way you help to take care and to avoid that harmful substances get into the environment.