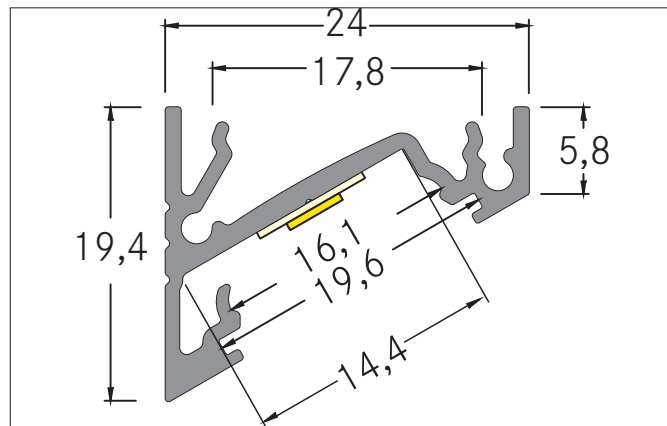


P62-14 Surface-mounted corner profile

Article no. 73702070

Light.
For Generations.



Tender

Surface-mounted corner profile, white. For optimal attachment of the profile this holders are suitable 53003000. For connecting of two profiles is the connector 53004000 optimal suited. With the use of profile covers 73402000 73402070 73402080 73432070 the additional mechanical protection and optimal light distribution can be achieved. The associated end cap set is under 53073070 available. for Mounting method: Corner profile, Material: Aluminium, dimensions profile: length: 100 mm x width: 24 mm x height: 19,4 mm .

Product Benefits

- Wide surface-mounted corner profile.
 - Available in white, black and anodized aluminum.
 - Up to 4 meters in length in one piece.
- (For deliveries beyond 2000 mm: please ask for delivery costs separately).
- Soft light emission due to higher cover.
 - Hidden fastening directly to the substrate.
 - Connecting piece 90° for rectangular application.

Article data	
Article no.	73702070
GTIN	4251433913993
Series name	P62-14
Short description	Surface-mounted corner profile
Material	Aluminium
Colour	White
Type of surface	Matt
Length	100 mm
Width	24 mm
Hight	19.4 mm
Weight	0.021 kg

P62-14 Surface-mounted corner profile

Article no. 73702070

Light.
For Generations.

Packing data	
Gross weight	0.235 kg
Length of packaging	2,020 mm
Packaging width	45 mm
Packaging height	45 mm
Note	Please note that the materials aluminium and PMMA or PC can expand differently with changes in temperature! At a temperature change of 10°C, the coefficient of expansion is approx. aluminium is approx. 0.7mm per metre, for plastic approx. 1.5mm per metre. This is not a defect in the product, this is a normal physical process.
Disposal at end of life	This product must not be disposed of with household waste. You are obliged, to dispose of such electrical waste separately. By disposing of electrical waste and other old or defective electronics separately, you support recycling or other forms of re-use. In that way you help to take care and to avoid that harmful substances get into the environment.