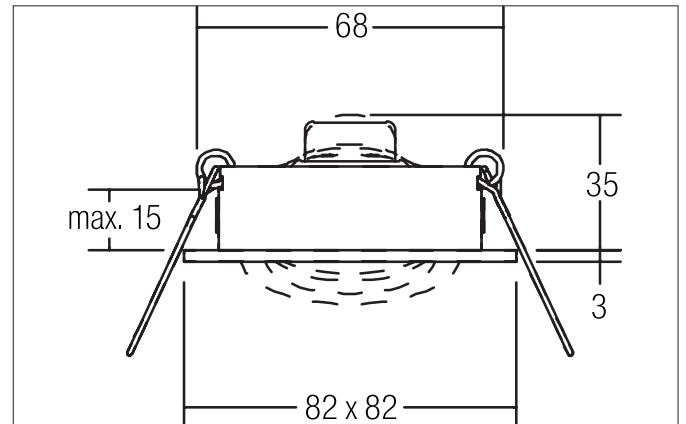


SINDEE-S Ceiling recessed speaker, DA 68 mm
Article no. 43004020

Light.
For Generations.



IP20

Tender

Ceiling recessed speaker, DA 68 mm, chrome, Square. In a compact design, for installation in tool-less rapid assembly systems. Nominal / music load capacity: 3 / 4 W, impedance: 20 Ohm. Up to 5 speakers can be connected in parallel to a channel of a HiFi amplifier. Sound pressure level: 1 W / 1 m: 82 dB (at nominal output of 87 dB), Transmission range (-3 db): 200 - 16,000 Hz, Transmission range (-10 db): 150 - 20,000 Hz, Net weight: 0.1 kg. Connection using 2-core cable with connecting terminals. Also available with cover in champagne matte or black on request. Mounting method: Recessed mounting, Place of installation: Ceiling-mounted, Material: Aluminium / Steel, Degree of protection: according to DIN EN 60529 IP20, Adjustability: Pivoted, .

Article data	
Article no.	43004020
GTIN	4251433907008
Series name	SINDEE-S
Short description	Ceiling recessed speaker, DA 68 mm
Material	Aluminium / Steel
Colour	Chrome
Type of surface	Glossy
Shape	Square
Built-in diameter	68 mm
Installation depth	35 mm
Length	82 mm
Width	82 mm
Height	3 mm
Weight	0.123 kg
Conformance	CE, UKCA

SINDEE-S Ceiling recessed speaker, DA 68 mm
Article no. 43004020Light.
For Generations.

Packing data	
Gross weight	0.17 kg
Length of packaging	90 mm
Packaging width	55 mm
Packaging height	109 mm
Disposal at end of life	<p>This product must not be disposed of with household waste. You are obliged, to dispose of such electrical waste separately.</p> <p>By disposing of electrical waste and other old or defective electronics separately, you support recycling or other forms of re-use. In that way you help to take care and to avoid that harmful substances get into the environment.</p>