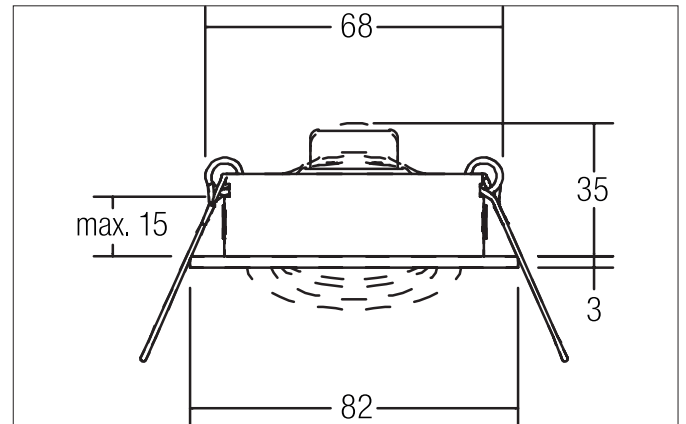


**SINDEE-R Ceiling recessed speaker, DA 68 mm**  
Article no. 43003020

Light.  
For Generations.



IP20

**Tender**

Ceiling recessed speaker, DA 68 mm, chrome, Round. In a compact design, for installation in tool-less rapid assembly systems. Nominal / music load capacity: 3 / 4 W, impedance: 20 Ohm. Up to 5 speakers can be connected in parallel to a channel of a HiFi amplifier. Sound pressure level: 1 W / 1 m: 82 dB (at nominal output of 87 dB), transmission range (-3 db): 200 - 16,000 Hz, transmission range (-10 db): 150 - 20,000 Hz, net weight: 0.1 kg. Connection using 2-core cable with connecting terminals. Also available with cover in champagne satin or black on request. Mounting method: Recessed mounting, Place of installation: Ceiling-mounted, Material: Aluminium / Steel, Degree of protection: according to DIN EN 60529 IP20, Adjustability: Pivoted, .

Article data	
Article no.	43003020
GTIN	4251433906988
Series name	SINDEE-R
Short description	Ceiling recessed speaker, DA 68 mm
Material	Aluminium / Steel
Colour	Chrome
Type of surface	Glossy
Shape	Round
Outer diameter	82 mm
Built-in diameter	68 mm
Installation depth	35 mm
Height	3 mm
Weight	0.113 kg
Conformance	CE, UKCA

**SINDEE-R Ceiling recessed speaker, DA 68 mm**  
Article no. 43003020Light.  
For Generations.

Packing data	
Gross weight	0.17 kg
Length of packaging	85 mm
Packaging width	43 mm
Packaging height	84 mm
Disposal at end of life	<p>This product must not be disposed of with household waste. You are obliged, to dispose of such electrical waste separately.</p> <p>By disposing of electrical waste and other old or defective electronics separately, you support recycling or other forms of re-use. In that way you help to take care and to avoid that harmful substances get into the environment.</p>