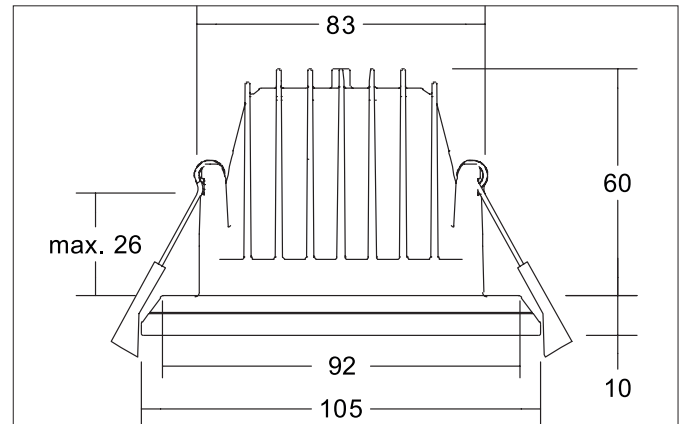


ZONDRA LED recessed downlight set, direct / indirect, trailing edge**phase dimmable**

Article no. 39339173

Light.
For Generations.**Tender**

LED recessed downlight set, direct / indirect, trailing edge phase dimmable, Round. Toolless ceiling installation by installation springs. Ceiling cut-out Ø 83 mm, Installation depth 60 mm, Outer diameter 105 mm, Weight 0,330 kg, Reflector silver with rotationssymmetrical, deep, wide distributed light intensity. optimal light distribution due to a plastic, structured cover. with max: 13 W, Delivery without bulb. Housing material: Aluminium / Plastic, Colour: White structure, Permissible ambient temperature (ta): -20 °C - +25 °C, Protection class (EN 61140): II, Degree of protection (DIN EN 60529): IP20, .With electronic driver, Trailing-edge phase dimmable with integrated strain reli-

Product Benefits

- Recessed downlight in round design made of solid aluminum.
- Ceiling cut-out 83 mm, outer diameter 92/105 mm, installation depth 60 mm, height 10 mm, maximum ceiling thickness 26 mm, Luminous flux 950 lm, direct/indirect light emission, IP20.
- Also available as a smaller version (diameter 78/90 mm) and as a pure direct version with UGR<16 available in two sizes.
- Supplied including dimmable phase cut-off converter.

ZONDRA LED recessed downlight set, direct / indirect, trailing edge phase dimmable

Article no. 39339173

Light.
For Generations.

Article data	
Article no.	39339173
GTIN	4251433981534
Series name	ZONDRA
Short description	LED recessed downlight set, direct / indirect, trailing edge phase dimmable
Material	Aluminium / Plastic
Colour	White
Type of surface	Structure
Shape	Round
Outer diameter	105 mm
Built-in diameter	83 mm
Installation depth	60 mm
Hight	10 mm
Weight	0.330 kg

Lighting technology	
Colour temperature	3.000 K
Light colour	White
Light output	Direct/Indirect
Luminous flux	950 lm
System efficiency	73 lm/W
Colour rendering	CRI > 80
Reflector	Matt
Reflector colour	silver
Beam angle	24°
Light sharing	Symmetric
Adjustable color temperature	No

Operating technology of the luminaire	
System output	13 W
Voltage type	AC
AC nominal voltage max	230 V
Frequenz max.	50 Hz
Lamp	LED
Protection class	II
Degree of protection	IP20
Dimmable	Yes
Control	Trailing-edge phase
Bulb change possible	Yes

Mounting technology	
Mounting method	Recessed mounting
Place of installation	Ceiling-mounted
Adjustability	Not adjustable
Max. ceiling thickness	26 mm
stamp	UKCA
Further references	No cover with thermal insulation material
Material cover	Plastic, structured
Circlip	Without circlip
Suitable for through-wiring	Yes, with optional accessories

ZONDRA LED recessed downlight set, direct / indirect, trailing edge**phase dimmable**

Article no. 39339173

Light.

For Generations.

Packing data	
Gross weight	0.386 kg
Length of packaging	140 mm
Packaging width	125 mm
Packaging height	85 mm
Disposal at end of life	<p>This product must not be disposed of with household waste. You are obliged, to dispose of such electrical waste separately.</p> <p>By disposing of electrical waste and other old or defective electronics separately, you support recycling or other forms of re-use. In that way you help to take care and to avoid that harmful substances get into the environment.</p>

Required accessories	
----------------------	--