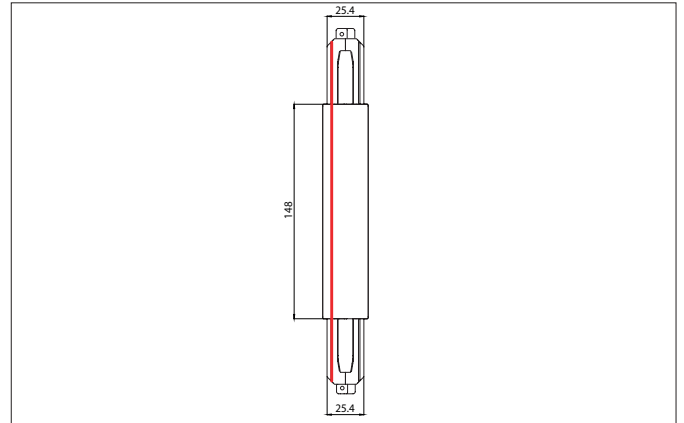
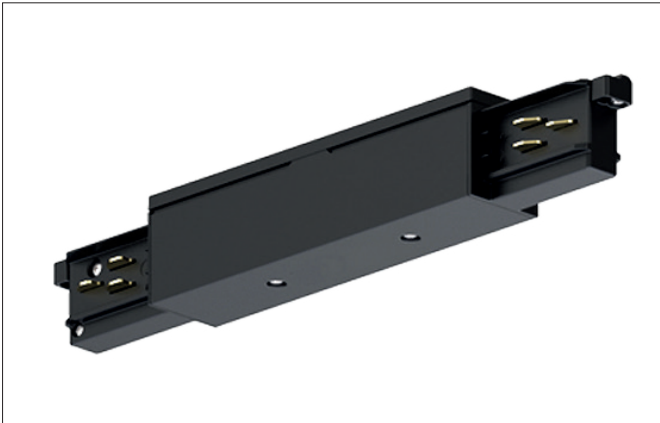


**Center power feed**  
Article no. 87124080

Light.  
For Generations.



Tender	
Center power feed, black. .	
Article data	
Article no.	87124080
GTIN	4251433979326
Short description	Center power feed
Colour	Black
Weight	0.210 kg
Packing data	
Gross weight	0.21 kg
Length of packaging	255 mm
Packaging width	32 mm
Packaging height	38 mm
Disposal at end of life	This product must not be disposed of with household waste. You are obliged, to dispose of such electrical waste separately. By disposing of electrical waste and other old or defective electronics separately, you support recycling or other forms of re-use. In that way you help to take care and to avoid that harmful substances get into the environment.