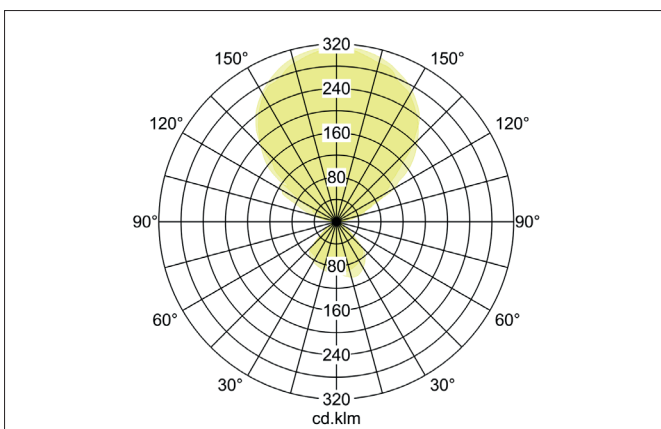
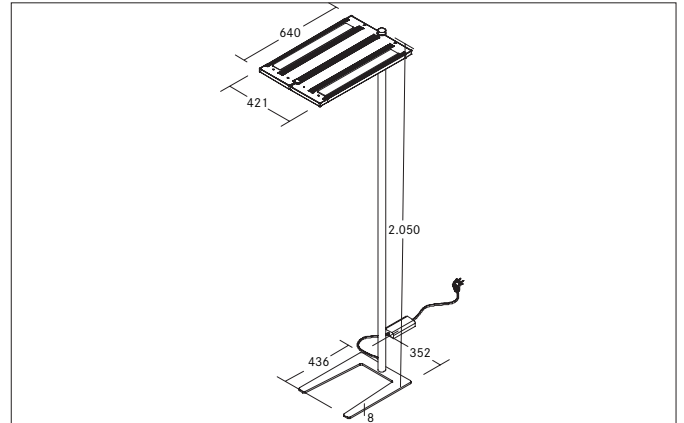


MELODY LED-Stehleuchte, NANO-prismatische Abdeckung, mit Indirektanteil, mit Sensorik und Taster

Article no. 77412174ST

Light.
For Generations.**Tender**

LED-Stehleuchte, NANO-prismatische Abdeckung, mit Indirektanteil, mit Sensorik und Taster, Rectangular. Luminaire length 640.0 mm, Luminaire width 421.0 mm, Hight 2050.0 mm Weight 16.2 kg, double asymmetric optimal light distribution due to a plastic, microprismatic cover. Luminous flux 15.200 lm, UGR < 19, Power 120 W, Light colour neutral white, Correlated color temperature (CCT) 4.000 K, Colour rendering index CRI > 90, Housing material: Aluminium / Steel / Plastic, Colour: White structure, Permissible ambient temperature (ta): -20 °C - +25 °C, Protection class (EN 61140): I, Degree of protection (DIN EN 60529): IP20, .With electronic driver, Presence detector dimmable.

| Article data | |
|-------------------|---|
| Article no. | 77412174ST |
| GTIN | 4251433954422 |
| Series name | MELODY |
| Short description | LED-Stehleuchte, NANO-prismatische Abdeckung, mit Indirektanteil, mit Sensorik und Taster |
| Material | Aluminium / Steel / Plastic |
| Colour | White |
| Type of surface | Structure |
| Shape | Rectangular |
| Length | 640 mm |
| Width | 421 mm |
| Hight | 2050 mm |
| Scope of delivery | incl. supply line 2.500 mm with Schuko angle plug |
| Weight | 16.200 kg |

MELODY LED-Stehleuchte, NANO-prismatische Abdeckung, mit Indirektanteil, mit Sensorik und Taster

Article no. 77412174ST

Light.
For Generations.

| Lighting technology | |
|--|-------------------|
| Colour temperature | 4.000 K |
| Light colour | White |
| Light output | Direct/Indirect |
| Luminous flux | 15,200 lm |
| Luminous flux component (direct / indirect) | 16/84 % |
| System efficiency | 127 lm/W |
| McAdam-Step | McAdam-Step 3 |
| Colour rendering | CRI > 90 |
| Glare evaluation | UGR < 19 |
| Luminance < 3,000 cd/m ² above 65° beam angle | Yes |
| Light sharing | Double asymmetric |
| Adjustable color temperature | No |

| Operating technology of the luminaire | |
|---------------------------------------|--|
| System output | 120 W |
| Voltage type | AC |
| AC nominal voltage max | 230 V |
| Frequency max | 50 Hz |
| Lamp | LED |
| Lamp holder | Without fitting |
| Protection class | I |
| Degree of protection | IP20 |
| Control | Presence detector, Daylight detector, Button |
| Bulb change possible | The light source of this luminaire may only be replaced by the manufacturer or a service technician commissioned by him or a similarly qualified person. |
| Rated life time L90/B10 at 25 °C | 50.000 h |

| Mounting technology | |
|-----------------------|-------------------------|
| Mounting method | Surface mounting |
| Place of installation | Floor-mounted |
| Adjustability | Not adjustable |
| Material cover | Plastic, microprismatic |

| Packing data | |
|-------------------------|---|
| Gross weight | 17.3 kg |
| Length of packaging | 2,085 mm |
| Packaging width | 520 mm |
| Packaging height | 95 mm |
| Disposal at end of life | This product must not be disposed of with household waste. You are obliged, to dispose of such electrical waste separately. By disposing of electrical waste and other old or defective electronics separately, you support recycling or other forms of re-use. In that way you help to take care and to avoid that harmful substances get into the environment. |