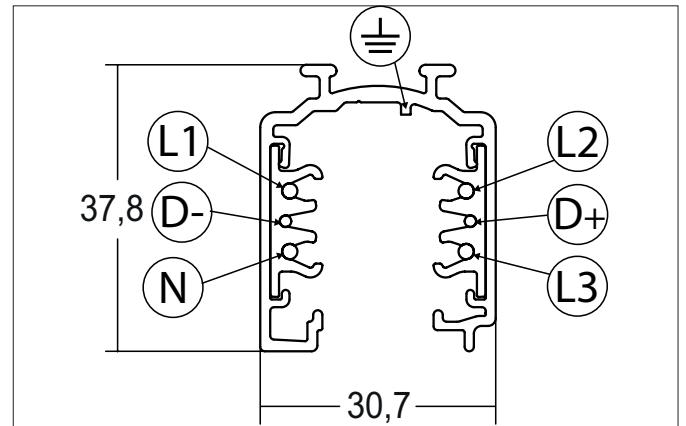
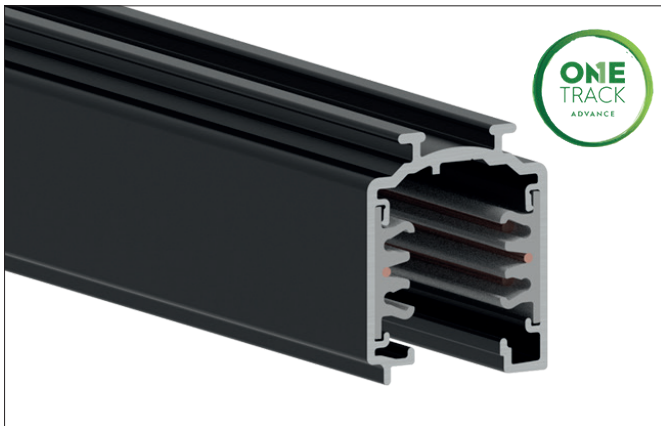


**3-phase track**

Article no. 87162080

Light.  
For Generations.

230V

**Tender**

3-phase track, black, Rectangular. Surface mounting Mounting method: Surface mounting, Material: Aluminium, Degree of protection: according to DIN EN 60529 IP20, Protection class: (EN 61140) I, Voltage: 230V AC 50Hz, .

Article data	
Article no.	87162080
GTIN	4251433979852
Short description	3-phase track
Material	Aluminium
Colour	Black
Type of surface	Glossy
Shape	Rectangular
Length	2,000 mm
Width	36 mm
Hight	33 mm
Weight	1.689 kg

**3-phase track**

Article no. 87162080

Light.  
For Generations.

Packing data	
Gross weight	2.232 kg
Length of packaging	2,000 mm
Packaging width	31 mm
Packaging height	37 mm
Disposal at end of life	<p>This product must not be disposed of with household waste. You are obliged, to dispose of such electrical waste separately.</p> <p>By disposing of electrical waste and other old or defective electronics separately, you support recycling or other forms of re-use. In that way you help to take care and to avoid that harmful substances get into the environment.</p>