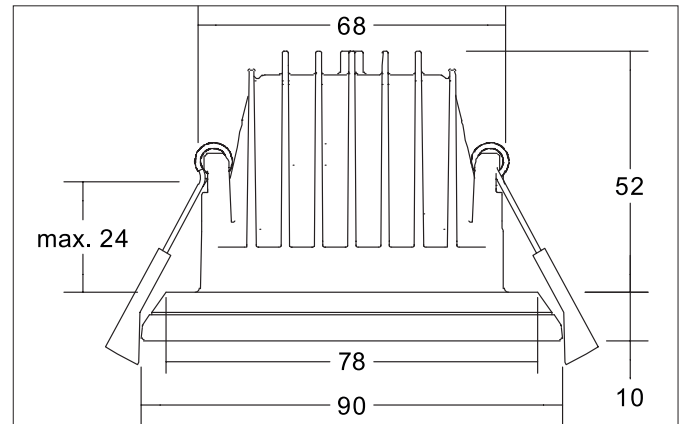


ZONDRA LED recessed downlight set, direct / indirect, trailing edge**phase dimmable**

Article no. 39338173

Light.
For Generations.**Tender**

LED recessed downlight set, direct / indirect, trailing edge phase dimmable, Round. Toolless ceiling installation by installation springs. Ceiling cut-out \varnothing 68 mm, Installation depth 52 mm, Outer diameter 90 mm, Weight 0,282 kg, Reflector silver with rotationssymmetrical, deep, wide distributed light intensity. optimal light distribution due to a plastic, structured cover. with max: 10 W, Delivery without bulb. Housing material: Aluminium / Plastic, Colour: White structure, Permissible ambient temperature (t_a): $-20\text{ }^{\circ}\text{C}$ - $+25\text{ }^{\circ}\text{C}$, Protection class (EN 61140): II, Degree of protection (DIN EN 60529): IP20, .With electronic driver, Trailing-edge phase dimmable with integrated strain relief.

Product Benefits

- Recessed downlight in round design made of solid aluminum.
- Ceiling cut-out 68 mm, outer diameter 78/90 mm, installation depth 52 mm, height 10 mm, maximum ceiling thickness 24 mm, Luminous flux 660 lm, direct/indirect light emission, IP20.
- Also available as a larger version (diameter 92/105 mm) and as a pure direct version with $UGR < 16$ available in two sizes.
- Delivery includes dimmable phase cut-off converter.

ZONDRA LED recessed downlight set, direct / indirect, trailing edge phase dimmable

Article no. 39338173

Light.
For Generations.

| Article data | |
|--------------------|---|
| Article no. | 39338173 |
| GTIN | 4251433981510 |
| Series name | ZONDRA |
| Short description | LED recessed downlight set, direct / indirect, trailing edge phase dimmable |
| Material | Aluminium / Plastic |
| Colour | White |
| Type of surface | Structure |
| Shape | Round |
| Outer diameter | 90 mm |
| Built-in diameter | 68 mm |
| Installation depth | 52 mm |
| Hight | 10 mm |
| Weight | 0.282 kg |

| Lighting technology | |
|------------------------------|-----------------|
| Colour temperature | 3.000 K |
| Light colour | White |
| Light output | Direct/Indirect |
| Luminous flux | 660 lm |
| System efficiency | 66 lm/W |
| Colour rendering | CRI > 80 |
| Reflector | Matt |
| Reflector colour | silver |
| Beam angle | 24° |
| Light sharing | Symmetric |
| Adjustable color temperature | No |

| Operating technology of the luminaire | |
|---------------------------------------|---------------------|
| System output | 10 W |
| Voltage type | AC |
| AC nominal voltage max | 230 V |
| Frequenz max. | 50 Hz |
| Lamp | LED |
| Protection class | II |
| Degree of protection | IP20 |
| Dimmable | Yes |
| Control | Trailing-edge phase |
| Bulb change possible | Yes |

| Mounting technology | |
|-----------------------------|---|
| Mounting method | Recessed mounting |
| Place of installation | Ceiling-mounted |
| Adjustability | Not adjustable |
| Max. ceiling thickness | 24 mm |
| stamp | UKCA |
| Further references | No cover with thermal insulation material |
| Material cover | Plastic, structured |
| Circlip | Without circlip |
| Suitable for through-wiring | Yes, with optional accessories |

ZONDRA LED recessed downlight set, direct / indirect, trailing edge**phase dimmable**

Article no. 39338173

Light.

For Generations.

| Packing data | |
|-------------------------|--|
| Gross weight | 0.339 kg |
| Length of packaging | 140 mm |
| Packaging width | 125 mm |
| Packaging height | 85 mm |
| Disposal at end of life | <p>This product must not be disposed of with household waste. You are obliged, to dispose of such electrical waste separately.</p> <p>By disposing of electrical waste and other old or defective electronics separately, you support recycling or other forms of re-use. In that way you help to take care and to avoid that harmful substances get into the environment.</p> |

| Required accessories | |
|----------------------|--|
|----------------------|--|