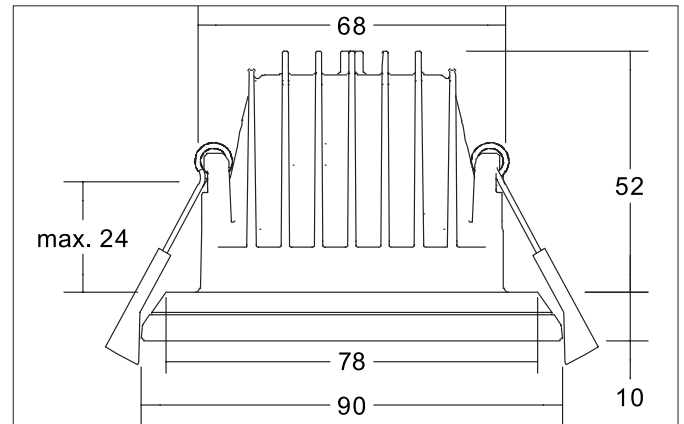


ZONDRA LED recessed downlight set, direct, trailing edge phase**dimmable**

Article no. 39336173

Light.
For Generations.**Tender**

LED recessed downlight set, direct, trailing edge phase dimmable, Round. Toolless ceiling installation by installation springs. Ceiling cut-out \varnothing 68 mm, Installation depth 52 mm, Outer diameter 90 mm, Weight 0,261 kg, Reflector silver with rotationssymmetrical, deep, wide distributed light intensity. optimal light distribution due to a plastic, structured cover. with max: 10 W, Delivery without bulb. Housing material: Aluminium / Plastic, Colour: White structure, Permissible ambient temperature (ta): -20 °C - +25 °C, Protection class (EN 61140): II, Degree of protection (DIN EN 60529): IP20, .With electronic driver, Trailing-edge phase dimmable with integrated strain relief.

Product Benefits

- Recessed downlight in round design made of solid aluminum.
- Ceiling cut-out 68 mm, outer diameter 78/90 mm, installation depth 52 mm, height 10 mm, maximum ceiling thickness 24 mm, luminous flux 790 lm, UGR<16, IP20.
- Also available as a larger version (diameter 92/105 mm) and as a variant with external indirect component in two sizes available.
- Supplied with dimmable trailing edge phase converter.

ZONDRA LED recessed downlight set, direct, trailing edge phase dimmable

Article no. 39336173

Light.
For Generations.

Article data	
Article no.	39336173
GTIN	4251433981473
Series name	ZONDRA
Short description	LED recessed downlight set, direct, trailing edge phase dimmable
Material	Aluminium / Plastic
Colour	White
Type of surface	Structure
Shape	Round
Outer diameter	90 mm
Built-in diameter	68 mm
Installation depth	52 mm
Hight	10 mm
Weight	0.261 kg

Lighting technology	
Colour temperature	3.000 K
Light colour	White
Light output	Direct
Luminous flux	790 lm
System efficiency	79 lm/W
Colour rendering	CRI > 80
Reflector	Matt
Reflector colour	silver
Beam angle	24°
Glare evaluation	UGR < 16
Light sharing	Symmetric
Adjustable color temperature	No

Operating technology of the luminaire	
System output	10 W
Voltage type	AC
AC nominal voltage max	230 V
Frequenz max.	50 Hz
Lamp	LED
Protection class	II
Degree of protection	IP20
Dimmable	Yes
Control	Trailing-edge phase
Bulb change possible	Yes

Mounting technology	
Mounting method	Recessed mounting
Place of installation	Ceiling-mounted
Adjustability	Not adjustable
Max. ceiling thickness	24 mm
stamp	UKCA
Further references	No cover with thermal insulation material
Material cover	Plastic, structured
Circlip	Without circlip
Suitable for through-wiring	Yes, with optional accessories

**ZONDRA LED recessed downlight set, direct, trailing edge phase
dimmable**

Article no. 39336173

Light.
For Generations.

Packing data	
Gross weight	0.304 kg
Length of packaging	105 mm
Packaging width	105 mm
Packaging height	70 mm
Disposal at end of life	<p>This product must not be disposed of with household waste. You are obliged, to dispose of such electrical waste separately.</p> <p>By disposing of electrical waste and other old or defective electronics separately, you support recycling or other forms of re-use. In that way you help to take care and to avoid that harmful substances get into the environment.</p>

Required accessories