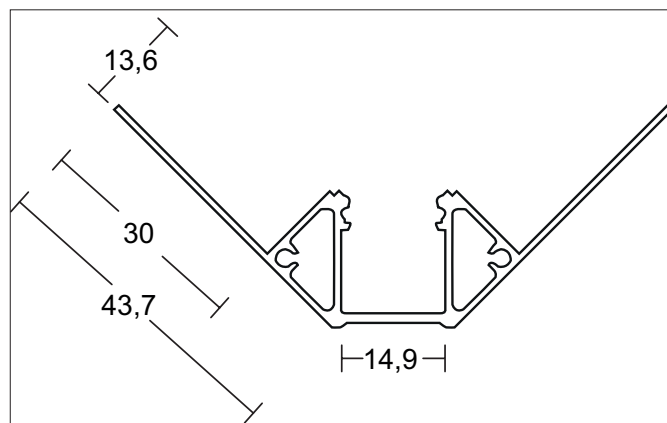


DRY WALL Innenecke Dry installation profile

Article no. 53775260

Light.
For Generations.**Tender**

Dry installation profile, silver. With the use of profile covers 53450000 53450070 53449080 the additional mechanical protection and optimal light distribution can be achieved. The associated end cap set is under 53102260 available. for Mounting method: Surface mounting, Material: Aluminium, dimensions profile: length: 2.000 mm x width: 79,5 mm x height: 40,5 mm .

Product Benefits

- Perfect solution for holistic lighting concepts in modern drywall construction.
- Drywall profile inside corner for a seamless mounting option between two plasterboard panels on an outside corner.
- Flush finish of the gypsum board after filling and plastering.
- Sustainable, indirect LED lighting.
- Matching end pieces available as separate accessories.
- Up to 3 meters in one piece.

Article data	
Article no.	53775260
GTIN	4251433953531
Series name	DRY WALL Innenecke
Short description	Dry installation profile
Material	Aluminium
Colour	Silver
Length	2,000 mm
Width	79.5 mm
Height	40.5 mm
Weight	1.160 kg

DRY WALL Innenecke Dry installation profile

Article no. 53775260

Light.
For Generations.

Packing data	
Gross weight	2.035 kg
Length of packaging	105 mm
Packaging width	105 mm
Packaging height	2,050 mm
Note	Please note that the materials aluminium and PMMA or PC can expand differently with changes in temperature! At a temperature change of 10°C, the coefficient of expansion is approx. aluminium is approx. 0.7mm per metre, for plastic approx. 1.5mm per metre. This is not a defect in the product, this is a normal physical process.
Disposal at end of life	This product must not be disposed of with household waste. You are obliged, to dispose of such electrical waste separately. By disposing of electrical waste and other old or defective electronics separately, you support recycling or other forms of re-use. In that way you help to take care and to avoid that harmful substances get into the environment.