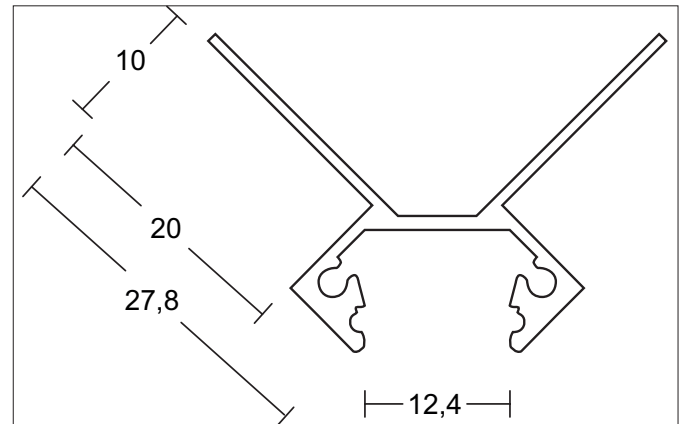
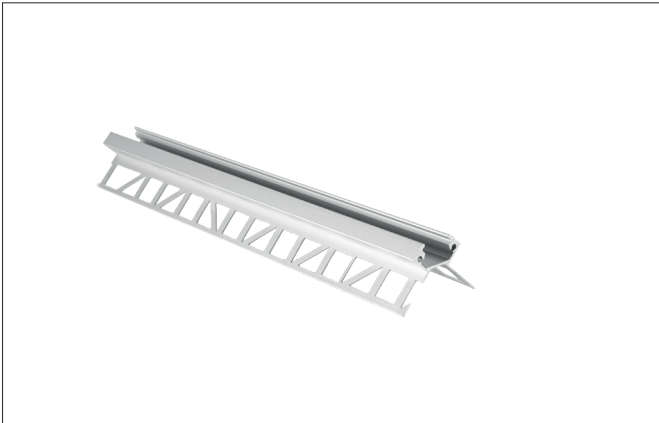


RENDER Außenecke Tile mounting profile

Article no. 53764260

Light.
For Generations.**Tender**

Tile mounting profile, silver. With the use of profile covers 53450000 53450070 53449080 the additional mechanical protection and optimal light distribution can be achieved. The associated end cap set is under 5309753097260 available. for Mounting method: Recessed profile, Material: Aluminium, dimensions profile: length: 2.000 mm x width: 37,5 mm x height: 26 mm .

Product Benefits

- Designed for tile concepts.
- Tile profile outside corner with wings on both sides, for optimal filling with tile adhesive.
- Seamless integration into tile concepts.
- Sustainable, indirect LED lighting.
- Matching end pieces available as separate accessories.
- Up to 3 meters in length in one piece.

Article data	
Article no.	53764260
GTIN	4251433953487
Series name	RENDER Außenecke
Short description	Tile mounting profile
Material	Aluminium
Colour	Silver
Length	2,000 mm
Width	37.5 mm
Hight	26 mm
Weight	0.448 kg

RENDER Außenecke Tile mounting profile

Article no. 53764260

Light.
For Generations.

Packing data	
Gross weight	1.15 kg
Length of packaging	75 mm
Packaging width	75 mm
Packaging height	2,050 mm
Note	Please note that the materials aluminium and PMMA or PC can expand differently with changes in temperature! At a temperature change of 10°C, the coefficient of expansion is approx. aluminium is approx. 0.7mm per metre, for plastic approx. 1.5mm per metre. This is not a defect in the product, this is a normal physical process.
Disposal at end of life	This product must not be disposed of with household waste. You are obliged, to dispose of such electrical waste separately. By disposing of electrical waste and other old or defective electronics separately, you support recycling or other forms of re-use. In that way you help to take care and to avoid that harmful substances get into the environment.