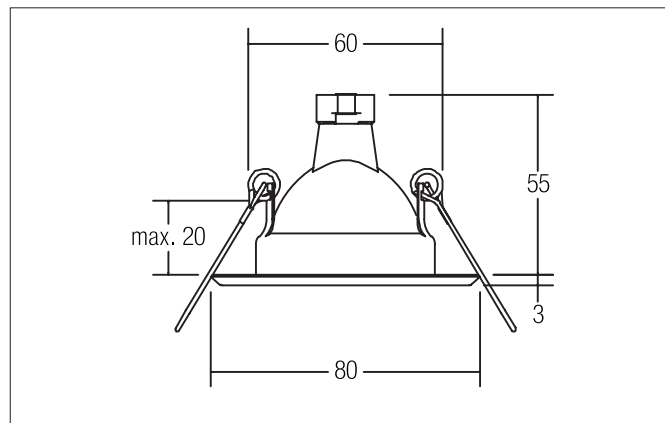


CINDRA Recessed downlight, GX5,3

Article no. 2190.07

Light.
For Generations.**Tender**

Recessed downlight, GX5,3, glossy white, Round. In a compact design, for installation in tool-less rapid assembly systems. Lamp holder: GX5.3, Mounting method: Recessed mounting, Place of installation: Ceiling-mounted, Material: Stainless steel, Degree of protection: according to DIN EN 60529 IP20, Protection class: (EN 61140) III, Voltage: 12V, Power: 50 W, Amount of light sources / fittings: 1 Qty, Adjustability: Not adjustable, without control gear, Dimmable: Depending on type of control gear, Control: Depending on driver.

Product Benefits

- Round recessed downlight made of stainless steel V2A.
- For LED retrofit lamp GX5.3.
- Dimmable when using appropriate accessories.
- Diameter 80 mm, ceiling cut-out 60 mm, installation depth 55 mm, ceiling thickness max. 20 mm.
- Available in stainless steel, clear powder coated stainless steel and white.

CINDRA Recessed downlight, GX5,3

Article no. 2190.07

Light.
For Generations.

Article data	
Article no.	2190.07
GTIN	4250047711674
Series name	CINDRA
Short description	Recessed downlight, GX5,3
Material	Stainless steel
Colour	White
Type of surface	Glossy
Shape	Round
Outer diameter	80 mm
Built-in diameter	60 mm
Installation depth	55 mm
Hight	3 mm
Weight	0.043 kg
stamp	UKCA

Operating technology of the luminaire	
System output	50 W
Voltage type	AC/DC
AC nominal voltage max	12 V
Frequency max	50 Hz
Lamp	For LED-retrofill lamp
Lamp holder	GX5.3
Protection class	III
Degree of protection	IP20
Dimmable	Depending on type of control gear
Control	Depending on driver
Bulb change possible	Yes

Mounting technology	
Mounting method	Recessed mounting
Place of installation	Ceiling-mounted
Adjustability	Not adjustable
Max. ceiling thickness	20 mm
Further references	No cover with thermal insulation material
Material cover	Without cover
Circlip	With circlip

Packing data	
Gross weight	0.058 kg
Length of packaging	85 mm
Packaging width	34 mm
Packaging hight	85 mm
Disposal at end of life	This product must not be disposed of with household waste. You are obliged, to dispose of such electrical waste separately. By disposing of electrical waste and other old or defective electronics separately, you support recycling or other forms of re-use. In that way you help to take care and to avoid that harmful substances get into the environment.