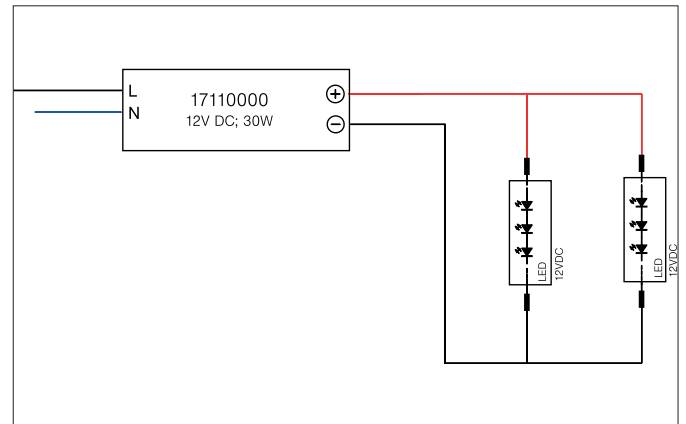


LED power supply 12 V DC, on/off switchable

Article no. 17110000

Light.
For Generations.



Tender

LED power supply 12 V DC, on/off switchable, white. This power supply unit is equipped with safety devices which protect it against over-voltage, short-circuit as well as thermal and electric overloads. Material: Plastic, Degree of protection: according to DIN EN 60529 IP20, Protection class: (EN 61140) II, Voltage: 12V, Power: 30 W, Control: on/off.

Article data	
Article no.	17110000
GTIN	4250047782704
Short description	LED power supply 12 V DC, on/off switchable
Material	Plastic
Colour	White
Length	185 mm
Width	48 mm
Height	20 mm
Scope of delivery	Incl. 2,000 mm input cable (Euro flat plug) and 2 x 150 mm output cable with a plug system
Weight	0.241 kg
stamp	ENEC, MM
Conformance	UKCA

LED power supply 12 V DC, on/off switchable

Article no. 17110000

Light.
For Generations.

Operating technology of driver	
AC nominal voltage max	230 V
Frequency max	50 Hz
Protection class	II
Degree of protection	IP20
Power min	1 W
Power max.	30 W
Output voltage max	12.00 V
Control	on/off
Environment temperature (ta)	0°C up to 40°C
Measure point (tc)	max. +85 °C

Packing data	
Gross weight	0.251 kg
Length of packaging	180 mm
Packaging width	70 mm
Packaging height	50 mm
Disposal at end of life	<p>This product must not be disposed of with household waste. You are obliged, to dispose of such electrical waste separately.</p> <p>By disposing of electrical waste and other old or defective electronics separately, you support recycling or other forms of re-use. In that way you help to take care and to avoid that harmful substances get into the environment.</p>