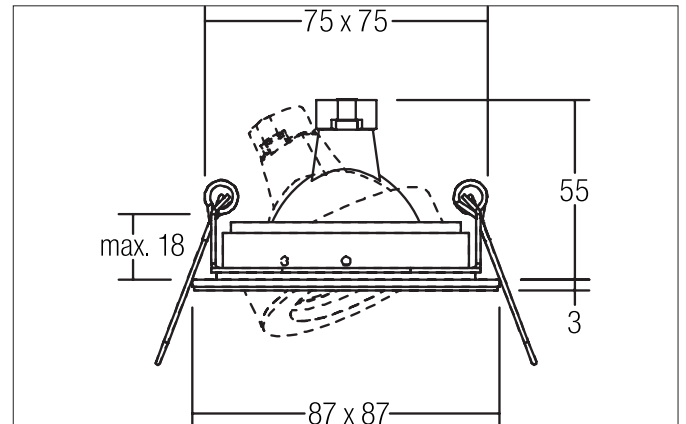


**BELLINA Recessed spot, GX5,3**

Article no. 20001070

Light.  
For Generations.**Tender**

Recessed spot, GX5,3, white structure, Square. In a compact design, for installation in tool-less rapid assembly systems. Mounting method: Recessed mounting, Place of installation: Ceiling-mounted, Material: Aluminium, Degree of protection: according to DIN EN 60529 IP20, Protection class: (EN 61140) III, Voltage: 12V, Power: 50 W, Amount of light sources / fittings: 1 Qty, Adjustability: Rotable and pivoted, without control gear, Dimmable: Depending on type of control gear, Control: Depending on driver.

**Product Benefits**

- Einbaustrahler in quadratischer Bauform aus massivem Aluminium für LED-Retrofit-Lampen mit Sockel GX5,3.
- Deckenausschnitt 75 x 75 mm, Länge 87 mm, Breite 87 mm, Einbautiefe 55 mm, IP20.
- Schwenkbereich 25°. Drehbereich 355°.
- Ohne sichtbaren Sprengring.
- Klassische, formal zurückgenommene Formgebung.
- In gleicher Optik auch als GU10-Ausführung, als schaltbares und dimmbares Set (Phasenabschnitt) lieferbar.

**BELLINA Recessed spot, GX5,3**

Article no. 20001070

Light.  
For Generations.

| Article data       |                      |
|--------------------|----------------------|
| Article no.        | 20001070             |
| GTIN               | 4250047765196        |
| Series name        | BELLINA              |
| Short description  | Recessed spot, GX5,3 |
| Material           | Aluminium            |
| Colour             | White                |
| Type of surface    | Structure            |
| Shape              | Square               |
| Built-in width     | 75 mm                |
| Built-in length    | 75 mm                |
| Installation depth | 55 mm                |
| Length             | 87 mm                |
| Width              | 87 mm                |
| Height             | 3 mm                 |
| Weight             | 0.147 kg             |

| Operating technology of the luminaire |                                   |
|---------------------------------------|-----------------------------------|
| System output                         | 50 W                              |
| Voltage type                          | AC/DC                             |
| AC nominal voltage max                | 12 V                              |
| Frequenz max.                         | 50 Hz                             |
| Lamp                                  | For LED-retrofill lamp            |
| Lamp holder                           | GX5.3                             |
| Protection class                      | III                               |
| Degree of protection                  | IP20                              |
| Dimmable                              | Depending on type of control gear |
| Control                               | Depending on driver               |
| Bulb change possible                  | Yes                               |

| Mounting technology    |   |
|------------------------|---|
| Mounting method        | Recessed mounting                         |
| Place of installation  | Ceiling-mounted                           |
| Adjustability          | Rotable and pivoted                       |
| Swivel angle           | 30°                                       |
| Rotation angle         | 355°                                      |
| Max. ceiling thickness | 18 mm                                     |
| Further references     | No cover with thermal insulation material |
| Material cover         | Without cover                             |
| Circlip                | Without circlip                           |

| Packing data            |   |
|-------------------------|---|
| Gross weight            | 0.273 kg  |
| Length of packaging     | 120 mm  |
| Packaging width         | 120 mm  |
| Packaging height        | 100 mm  |
| Disposal at end of life | This product must not be disposed of with household waste. You are obliged, to dispose of such electrical waste separately.<br>By disposing of electrical waste and other old or defective electronics separately, you support recycling or other forms of re-use. In that way you help to take care and to avoid that harmful substances get into the environment. |