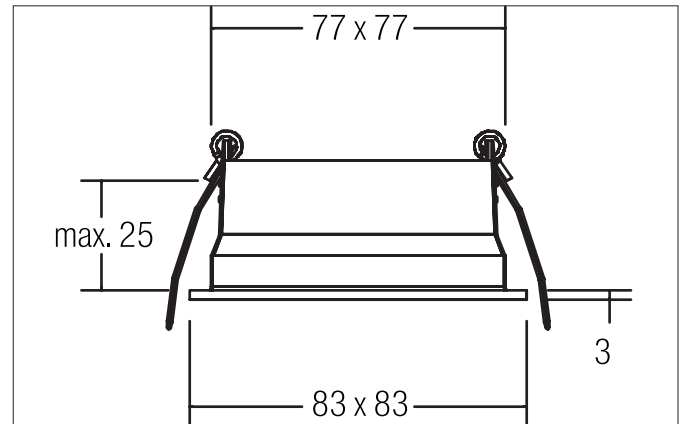
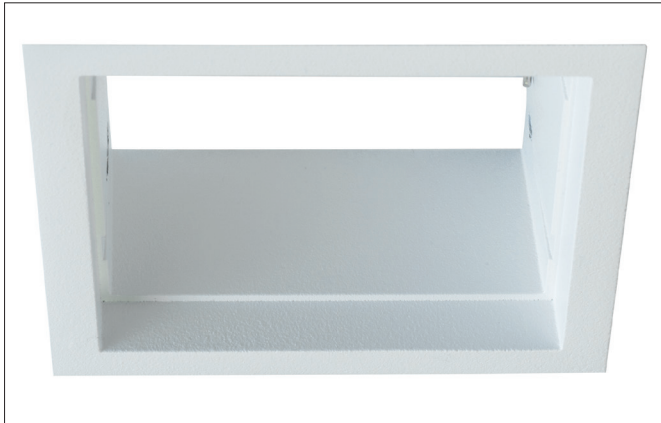


**COUPLED Recessed frame, square**

Article no. 82040170

**Tender**

Installation frame, square, white structure, square. Designed in a compact form for tool-free quick installation in the ceiling. Installation frame for recessed ceiling lights COUPLED as a base for 12640, 12642/12644 and 12641/12643

Mounting type: Recessed mounting, Mounting location: Ceiling mounting, Material: Aluminium.

Article data	
Article no.	82040170
GTIN	4251433915973
Series name	COUPLED
Short description	Recessed frame, square
Material	Aluminium
Colour	white structure
Type of surface	Structure
Shape	Square
Length	83 mm
Width	83 mm
Built-in length	77 mm
Built-in width	77 mm
Hight	3 mm
Weight	0.082 kg
Conformance	CE, UKCA

Lighting technology

All technical data as well as, weight and measurements are based on rated values and had been carefully prepared. We reserve the right to make technical changes which are important in progressing. Product pictures are examples and can vary from the original. Subject to errors.

Date 14.07.2025 Orders are placed under our general terms and conditions under <https://www.brumberg.com/en/terms-and-conditions/general-terms-and-conditions-of-sale/>


COUPLED Recessed frame, square
 Article no. 82040170

Operating technology of the luminaire	
Mounting technology	
Mounting method	Recessed mounting
Place of installation	Ceiling-mounted
Adjustability	Not adjustable
Max. ceiling thickness	25 mm
Packing data	
Gross weight	0.116 kg
Length of packaging	95 mm
Packaging width	95 mm
Packaging height	55 mm
Disposal at end of life	<p>This product must not be disposed of with household waste. You are obliged, to dispose of such electrical waste separately.</p> <p>By disposing of electrical waste and other old or defective electronics separately, you support recycling or other forms of re-use. In that way you help to take care and to avoid that harmful substances get into the environment.</p>