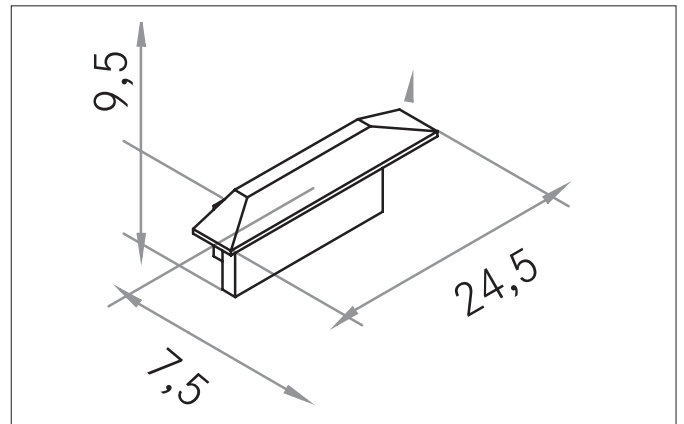
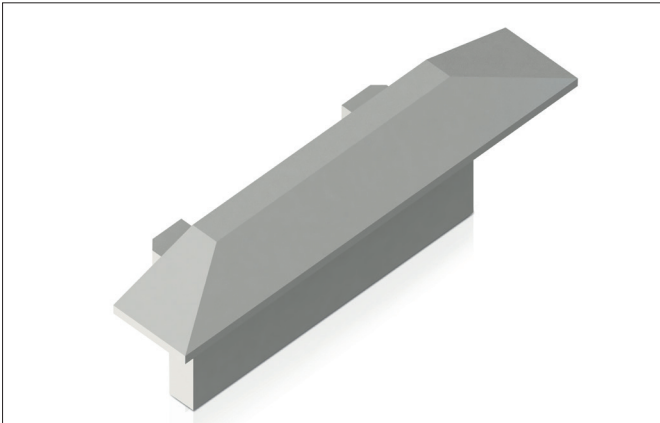


Holder set

Article no. 53088080

Light.
For Generations.**Tender**

Holder set. for Material: Plastic, dimensions profile: length: 7,5 mm x width: 24,5 mm x height: 9,5 mm .

Article data

| | |
|-------------------|---------------|
| Article no. | 53088080 |
| GTIN | 4251433930303 |
| Short description | Holder set |
| Material | Plastic |
| Length | 8 mm |
| Width | 24.5 mm |
| Hight | 9.5 mm |
| Weight | 0.002 kg |

Packing data

| | |
|-------------------------|---|
| Gross weight | 0.002 kg |
| Length of packaging | 80 mm |
| Packaging width | 135 mm |
| Packaging hight | 7 mm |
| Disposal at end of life | This product must not be disposed of with household waste. You are obliged, to dispose of such electrical waste separately. By disposing of electrical waste and other old or defective electronics separately, you support recycling or other forms of re-use. In that way you help to take care and to avoid that harmful substances get into the environment. |