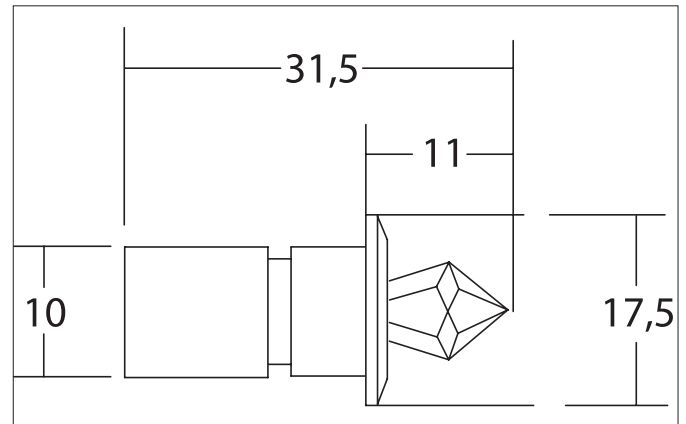


**FIBATEC Crystal exit element, for fiber S2 and S2M**

Article no. 9731.02

Licht.  
Für Generationen.**Tender**

Crystal exit element, for fiber S2 and S2M, chrome. Material: brass / crystal glass with facet cut, outer diameter:  $\varnothing$  17.5 mm, height without crystal: 1.5 mm, height with crystal: 11 mm, installation depth without fiber: 20 mm, installation depth with fiber: 100 mm, drill diameter:  $\varnothing$  10 mm, fastening type: glue (using Brumberg adhesive 48290000).

**Article data**

Article no.	9731.02
GTIN	4250047731467
Series name	FIBATEC
Kurzbeschreibung	Crystal exit element, for fiber S2 and S2M
Colour	Chrome
weight	0.011 kg

**Packing data**

Gross weight	0.026 kg
Length of packaging	80 mm
Packaging width	170 mm
Packaging height	1 mm