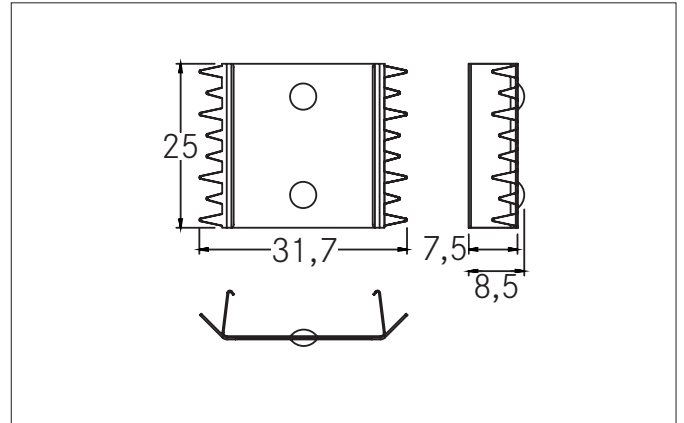
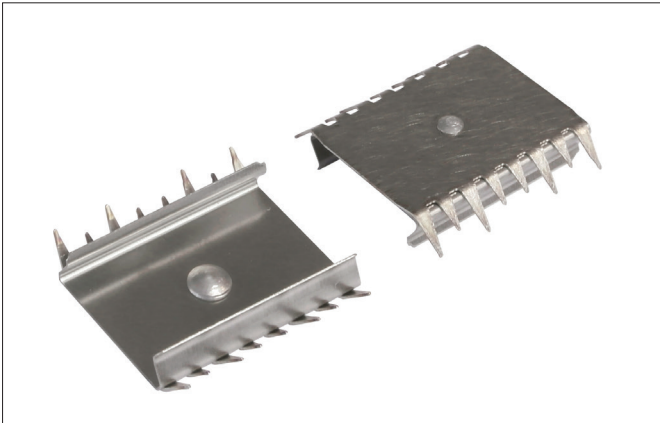


**Holder set with tothing**

Article no. 53011000

Light.  
For Generations.**Tender**

Holder set with tothing, alu. for Material: Aluminium, dimensions profile: length: 25 mm x width: 31,7 mm x height: 8,5 mm .

Article data	
Article no.	53011000
GTIN	4251433912903
Short description	Holder set with tothing
Material	Aluminium
Colour	Alu
Length	25 mm
Width	31.7 mm
Hight	8.5 mm
Weight	0.014 kg

Packing data	
Gross weight	0.02 kg
Length of packaging	45 mm
Packaging width	70 mm
Packaging hight	80 mm
Disposal at end of life	This product must not be disposed of with household waste. You are obliged, to dispose of such electrical waste separately. By disposing of electrical waste and other old or defective electronics separately, you support recycling or other forms of re-use. In that way you help to take care and to avoid that harmful substances get into the environment.