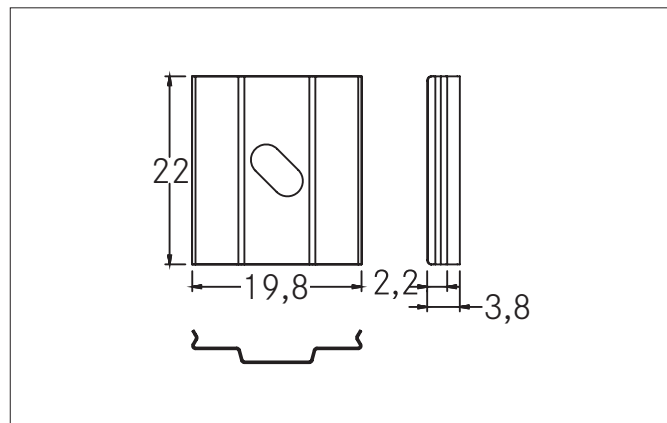


Holder set for horizontal mounting

Article no. 53020000

Light.
For Generations.**Tender**

Holder set for horizontal mounting, alu. for Material: Aluminium, dimensions profile: length: 22 mm x width: 19,2 mm x height: 3,8 mm .

Article data	
Article no.	53020000
GTIN	4251433912422
Short description	Holder set for horizontal mounting
Material	Aluminium
Colour	Alu
Length	22 mm
Width	19.2 mm
Hight	3.8 mm
Weight	0.014 kg

Packing data	
Gross weight	0.02 kg
Length of packaging	45 mm
Packaging width	70 mm
Packaging hight	80 mm
Disposal at end of life	This product must not be disposed of with household waste. You are obliged, to dispose of such electrical waste separately. By disposing of electrical waste and other old or defective electronics separately, you support recycling or other forms of re-use. In that way you help to take care and to avoid that harmful substances get into the environment.