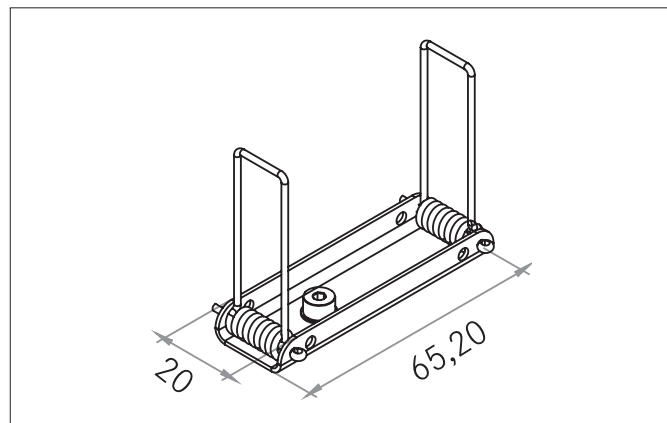


Spring holder for hollow walls

Article no. 53032000

Light.
For Generations.**Tender**

Spring holder for cavity walls, silver. for Material: Steel, dimensions profile: length: 20 mm x width: 65,2 mm x height: mm .

Article data	
Article no.	53032000
GTIN	4251433911517
Short description	Spring holder for hollow walls
Material	Steel
Colour	Silver
Length	20 mm
Width	65.2 mm
Weight	0.023 kg

Packing data	
Gross weight	0.025 kg
Length of packaging	120 mm
Packaging width	20 mm
Packaging height	180 mm
Disposal at end of life	This product must not be disposed of with household waste. You are obliged, to dispose of such electrical waste separately. By disposing of electrical waste and other old or defective electronics separately, you support recycling or other forms of re-use. In that way you help to take care and to avoid that harmful substances get into the environment.