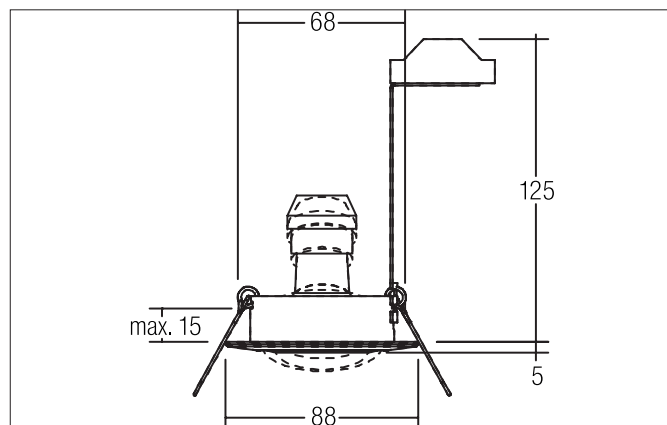


**BREENA-R Recessed spot, GU 10**

Article no. 36141020

Light.  
For Generations.**Tender**

Recessed spot, GU10, glossy chrome, Round. In a compact design, for installation in tool-less rapid assembly systems. Including bracket with GU10 socket for standard-compliant strain relief. Lamp holder: GU10, Mounting method: Recessed mounting, Place of installation: Ceiling-mounted, Material: Zinc casting / Aluminium casting, Degree of protection: according to DIN EN 60529 IP20, Protection class: (EN 61140) II, Voltage: 230V AC 50Hz, Power: 50 W, Amount of light sources / fittings: 1 Qty, Adjustability: Pivoted, without control gear, Control: Other.

**Product Benefits**

- Recessed spotlight in round design made of solid cast zinc and cast aluminum for LED retrofit lamps with GU10 base (incl. bracket for standardized strain relief). strain relief).
- Ceiling cut-out 68 mm, diameter 88 mm, installation depth 125 mm, IP20.
- Pivoting range 25°.
- Wide range of colors. Without visible snap ring.
- Classic, slightly curved design.
- Also available in the same look as a GX5.3 version, as a switchable and dimmable set (trailing edge).

**BREENA-R Recessed spot, GU 10**

Article no. 36141020

Light.  
For Generations.

| Article data       |                     |
|--------------------|---------------------|
| Article no.        | 36141020            |
| GTIN               | 4250047780366       |
| Series name        | BREENA-R            |
| Short description  | Recessed spot, GU10 |
| Material           | Cast iron           |
| Colour             | Chrome              |
| Type of surface    | Glossy              |
| Shape              | Round               |
| Outer diameter     | 88 mm               |
| Built-in diameter  | 68 mm               |
| Installation depth | 125 mm              |
| Hight              | 5 mm                |
| Weight             | 0.125 kg            |
| stamp              | UKCA                |

| Operating technology of the luminaire |                        |
|---------------------------------------|------------------------|
| System output                         | 50 W                   |
| Voltage type                          | AC                     |
| AC nominal voltage max                | 230 V                  |
| Frequency max                         | 50 Hz                  |
| Lamp                                  | For LED-retrofill lamp |
| Lamp holder                           | GU10                   |
| Protection class                      | II                     |
| Degree of protection                  | IP20                   |
| Control                               | Other                  |
| Bulb change possible                  | Yes                    |

| Mounting technology    |   |
|------------------------|---|
| Mounting method        | Recessed mounting   |
| Place of installation  | Ceiling-mounted   |
| Adjustability          | Pivoted   |
| Swivel angle           | 25°   |
| Max. ceiling thickness | 15 mm   |
| Further references     | No mounting box No cover with thermal insulation material |
| Material cover         | Without cover   |
| Circlip                | Without circlip   |

| Packing data            |   |
|-------------------------|---|
| Gross weight            | 0.152 kg  |
| Length of packaging     | 140 mm  |
| Packaging width         | 110 mm  |
| Packaging hight         | 120 mm  |
| Disposal at end of life | This product must not be disposed of with household waste. You are obliged, to dispose of such electrical waste separately.<br>By disposing of electrical waste and other old or defective electronics separately, you support recycling or other forms of re-use. In that way you help to take care and to avoid that harmful substances get into the environment. |