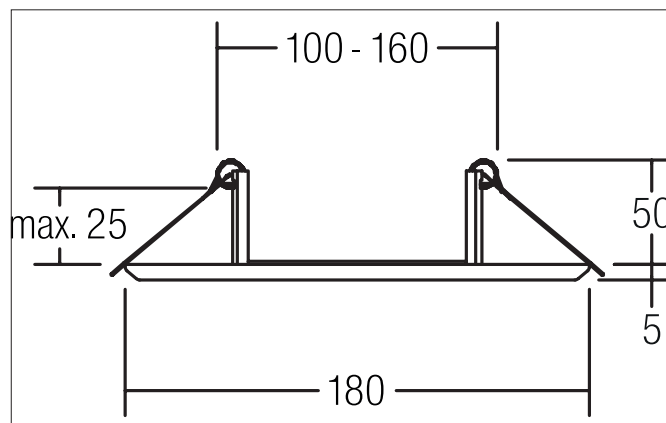


Reduction ring for recessed lights

Article no. 81001070

Light.
For Generations.**Tender**

Reduction ring for recessed lights, white, Round. Standard reduction ring for recessed spotlights with outside diameter 84 - 87 mm, as adapter for the ceiling cut-out 100 - 160 mm, diameter 180 mm, mounting height 5 mm, suitable for Brumberg spotlight 1963.. The final installation depth depends on the recessed spotlight used and the equipment of the lamp. Mechanical installation depth without lamp = 50 mm. Material: Steel, .

Article data	
Article no.	81001070
GTIN	4250047791065
Short description	Reduction ring for recessed lights
Material	Steel
Colour	White
Type of surface	Glossy
Shape	Round
Outer diameter	180 mm
Height	5 mm
Weight	0.272 kg

Reduction ring for recessed lights

Article no. 81001070

Light.
For Generations.

Packing data	
Gross weight	0.277 kg
Length of packaging	185 mm
Packaging width	45 mm
Packaging height	185 mm
Disposal at end of life	<p>This product must not be disposed of with household waste. You are obliged, to dispose of such electrical waste separately.</p> <p>By disposing of electrical waste and other old or defective electronics separately, you support recycling or other forms of re-use. In that way you help to take care and to avoid that harmful substances get into the environment.</p>