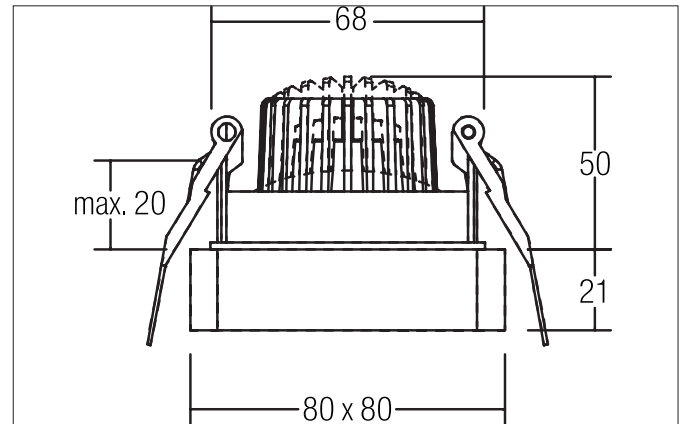


Recessed spot, GX5,3
Article no. 20027170

Light.
For Generations.



A

Tender

Recessed spot, GX5,3, , Square. In a compact design, for installation in tool-less rapid assembly systems. Lamp holder: Without fitting, Mounting method: Recessed mounting, Place of installation: Ceiling-mounted, Amount of light sources / fittings: 1 Qty, Control: Depending on driver.

Article data

Article no.	20027170
GTIN	4251433918127
Short description	Recessed spot, GX5,3
Colour	White
Shape	Square
Weight	0.166 kg
Conformance	CE, UKCA

Lighting technology

Adjustable color temperature	No
------------------------------	----

Operating technology of the luminaire

Lamp	LED not changeable
Lamp holder	Without fitting
Control	Depending on driver

Recessed spot, GX5,3
Article no. 20027170Light.
For Generations.

Mounting technology	
Mounting method	Recessed mounting
Place of installation	Ceiling-mounted
Adjustability	Pivoted

Packing data	
Gross weight	0.249 kg
Length of packaging	110 mm
Packaging width	110 mm
Packaging height	80 mm
Disposal at end of life	<p>This product must not be disposed of with household waste. You are obliged, to dispose of such electrical waste separately.</p> <p>By disposing of electrical waste and other old or defective electronics separately, you support recycling or other forms of re-use. In that way you help to take care and to avoid that harmful substances get into the environment.</p>