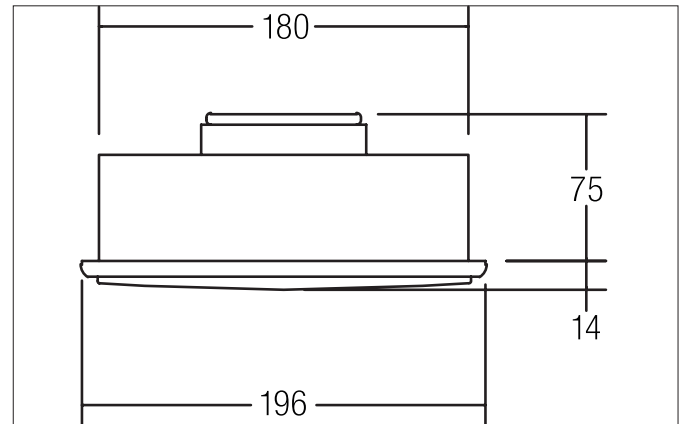


RYCCA Ceiling recessed speaker, DA 180 mm
Article no. 3094.07

Light.
For Generations.



IP20

Tender

Ceiling recessed speaker, DA 180 mm, white matt, Round. In a compact design, for installation in tool-less rapid assembly systems. Nominal / music load capacity: 40 / 50 W, impedance: 8 Ohm, Sound pressure level: 1 W / 1 m: 90 dB (at nominal output of 98 dB), Transmission range (-3 db): 100 - 20,000 Hz, Transmission range (-10 db): 60 - 23,000 Hz, Model: Front and mounting ring made of plastic with perforated plate cover in white, Net weight: 1.0 kg Installation in ceilings with material thickness of 1-20 mm. Connection using 2-core cable with connecting terminals. Moisture-impregnated membrane: Restricted protection against moisture (not suitable for continuous operation in outdoor area). Mounting method: Recessed mounting, Place of installation: Ceiling-mounted, Material: Steel / Plastic, Degree of protection: according to DIN EN 60529 IP20, Power: 50 W, .

Article data	
Article no.	3094.07
GTIN	4250047716563
Series name	RYCCA
Short description	Ceiling recessed speaker, DA 180 mm
Material	Plastic
Colour	White
Type of surface	Matt
Shape	Round
Outer diameter	196 mm
Built-in diameter	180 mm
Installation depth	75 mm
Width	196 mm
Height	14 mm
Weight	1.056 kg
Conformance	CE, UKCA

All technical data as well as, weight and measurements are based on rated values and had been carefully prepared. We reserve the right to make technical changes which are important in progressing. Product pictures are examples and can vary from the original. Subject to errors.

Date 20.05.2024 Orders are placed under our general terms and conditions under <https://www.brumberg.com/en/terms-and-conditions/general-terms-and-conditions-of-sale/>

RYCCA Ceiling recessed speaker, DA 180 mm
Article no. 3094.07Light.
For Generations.

Packing data	
Gross weight	1.15 kg
Length of packaging	200 mm
Packaging width	200 mm
Packaging height	100 mm
Disposal at end of life	<p>This product must not be disposed of with household waste. You are obliged, to dispose of such electrical waste separately.</p> <p>By disposing of electrical waste and other old or defective electronics separately, you support recycling or other forms of re-use. In that way you help to take care and to avoid that harmful substances get into the environment.</p>