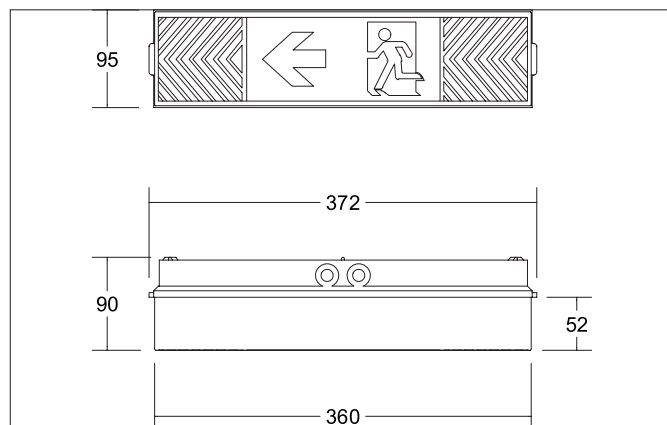


RESCUE ONE Exit sign luminaire

Article no. 79130004

Light.
For Generations.**Tender**

Exit sign luminaire. Luminaire length 372.0 mm, Luminaire width 95.0 mm, Height 90.0 mm Weight 0.66 kg, Cover plastic, opal. Luminous flux 120 lm, Power 4,6 W, Light colour neutral white, Correlated color temperature (CCT) 4.000 K, Colour rendering index , Housing material: Polycarbonate, Colour: White, Permissible ambient temperature (ta): +5 to +45°C, Protection class (EN 61140): I, Degree of protection (DIN EN 60529): IP54, shock resistance according to IEC62262: IK07 .With electronic driver, dimmable.

Product Benefits

- Made in Germany.
- 5 years Brumberg warranty.(Registration via the Brumberg website in the Services section).
- Long standing and storage times due to LiFePO4(Lithium Iron Phosphate) batteries. (*up to half a year, then recharge)
- A light for all operating hours.
- 8 hrs. for accommodation facilities.
- 3 hrs. for all other areas.
- Self-adhesive pictogram set, quick replacement.
- Illumination of the escape sign > 200 cd/m².
- Technical design according to EN 60598.2.22.
- All with AUTOTEST - function from the outside with visible test LED, which is performed independently by the luminaire every 30 days.
- Rescue ONE: made of plastic, durable and robust
- Rescue TWO: made of aluminum, aesthetic and functional

RESCUE ONE Exit sign luminaire

Article no. 79130004

Light.
For Generations.

Article data	
Article no.	79130004
GTIN	4251433949503
Series name	RESCUE ONE
Short description	Exit sign luminaire
Material	Polycarbonate
Colour	White
Length	372 mm
Width	95 mm
Height	90 mm
Weight	0.660 kg
Conformance	CE, UKCA

Lighting technology	
Colour temperature	4.000 K
Light colour	White
Luminous flux	120 lm
System efficiency	26 lm/W

Operating technology of the luminaire	
System output	4.6 W
Voltage type	AC
AC nominal voltage max	230 V
Frequency max	50 Hz
Lamp	LED
Lamp holder	Without fitting
Protection class	I
Degree of protection	IP54
Ambient temperature	+5 up to +45°C
Bulb change possible	The light source of this luminaire may only be replaced by the manufacturer or a service technician commissioned by him or a similarly qualified person.

Operating technology of emergency light	
Recognition distance	25 m
Battery type	LiFePO4
Function	Escape route signage
Type of marking	One-sided
Electric feeding	Decentralised (single battery)
Nominal operating time at BLF 100 %	3 h
Nominal operating time at BLF 40 %	8 h
Rated operating time	switchable
Monitoring device	Automatic self-test

Mounting technology	
Mounting method	Surface mounting
Place of installation	Wall-mounted
Adjustability	Not adjustable
Impact resistance	IK07
Material cover	Plastic, opal
Suitable for through-wiring	Yes

RESCUE ONE Exit sign luminaire

Article no. 79130004

Light.
For Generations.

Packing data	
Gross weight	0.782 kg
Length of packaging	380 mm
Packaging width	96 mm
Packaging height	96 mm
Disposal at end of life	<p>This product must not be disposed of with household waste. You are obliged, to dispose of such electrical waste separately.</p> <p>By disposing of electrical waste and other old or defective electronics separately, you support recycling or other forms of re-use. In that way you help to take care and to avoid that harmful substances get into the environment.</p>