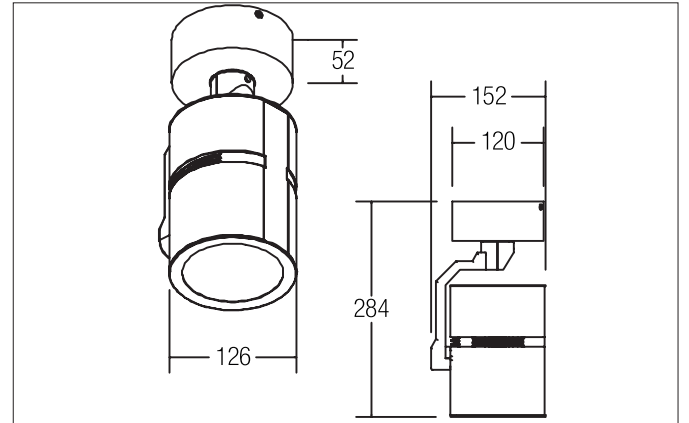


LED surface-mounted spot, 27W

Article no. 89131133

Light.
For Generations.**Tender**

LED surface-mounted spot, 27W, Round. Ceiling cut-out Installation depth mm, Outer diameter 152 mm, Weight 2,923 kg, with rotations-symmetrical, deep, wide distributed light intensity. optimal light distribution due to a glass transparent cover. Power 1 x 27 W, System Efficiency 27 lm/W, Light colour warm white, Correlated color temperature (CCT) 3.000 K, Colour rendering index CRI > 90, Housing material: Aluminium, Colour: Silver, Permissible ambient temperature (ta): -20 °C - +25 °C, Protection class (EN 61140): I, Degree of protection (DIN EN 60529): IP20, .With electronic driver, on/off switchable.

Article data	
Article no.	89131133
GTIN	4251433948858
Short description	LED surface-mounted spot, 27W
Material	Aluminium
Colour	Silver
Type of surface	Matt
Shape	Round
Outer diameter	152 mm
Hight	284 mm
Weight	2.923 kg

LED surface-mounted spot, 27W

Article no. 89131133

Light.
For Generations.

Lighting technology	
Colour temperature	3.000 K
Light colour	White
Light output	Direct
System efficiency	27 lm/W
Colour rendering	CRI > 90
Reflector	High-gloss
Beam angle	36°
Light sharing	Symmetric
Adjustable color temperature	No

Operating technology of the luminaire	
System output	27 W
Voltage type	AC
AC nominal voltage max	230 V
Frequency max	50 Hz
Lamp	LED
Protection class	I
Degree of protection	IP20
Control	on/off
Bulb change possible	The light source of this luminaire may only be replaced by the manufacturer or a service technician commissioned by him or a similarly qualified person.

Mounting technology	
Mounting method	Surface mounting
Place of installation	Ceiling-mounted
Adjustability	Rotatable and adjustable head
Swivel angle	180°
Rotation angle	355°
Head adjustable angle	180°
stamp	UKCA
Material cover	Glass transparent
Suitable for through-wiring	No

Packing data	
Gross weight	2.954 kg
Length of packaging	280 mm
Packaging width	280 mm
Packaging height	200 mm
Disposal at end of life	This product must not be disposed of with household waste. You are obliged, to dispose of such electrical waste separately. By disposing of electrical waste and other old or defective electronics separately, you support recycling or other forms of re-use. In that way you help to take care and to avoid that harmful substances get into the environment.