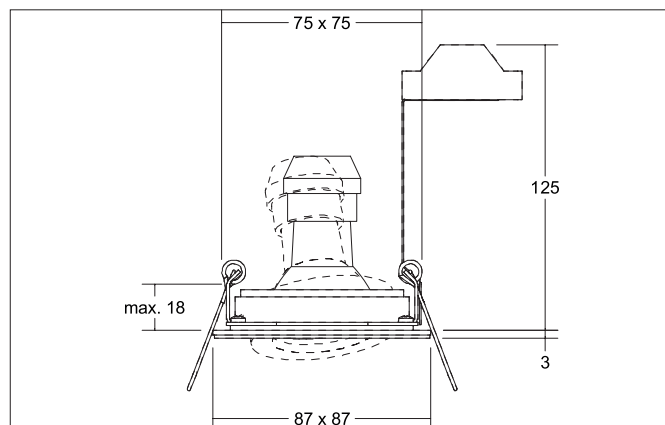


BELLINA Recessed spot, GU10

Article no. 36357070

Light.
For Generations.**Tender**

Recessed spot, GU10, white structure, Square. In a compact design, for installation in tool-less rapid assembly systems. Including bracket with GU10 socket for standard-compliant strain relief. Lamp holder: GU10, Mounting method: Recessed mounting, Place of installation: Ceiling-mounted, Material: Aluminium, Degree of protection: according to DIN EN 60529 IP20, Protection class: (EN 61140) II, Voltage: 230V AC 50Hz, Power: 50 W, Amount of light sources / fittings: 1 Qty, Adjustability: Rotable and pivoted, without control gear, Control: Other.

Product Benefits

- Einbaustrahler in quadratischer Bauform aus massivem Aluminium für LED-Retrofit-Lampen mit Sockel GU10.
- Inkl. Bügel zur normgerechten Zugentlastung.
- Deckenausschnitt 75 x 75 mm, Länge 87 mm, Breite 87 mm, Einbautiefe 125 mm, IP20.
- Schwenkbereich 25°. Drehbereich 355°.
- Ohne sichtbaren Sprengring.
- Klassische, formal zurückgenommene Formgebung.
- In gleicher Optik auch als GX5,3-Ausführung, als schaltbares und dimmbares Set (Phasenabschnitt) lieferbar.

BELLINA Recessed spot, GU10

Article no. 36357070

Light.
For Generations.

Article data	
Article no.	36357070
GTIN	4251433949817
Series name	BELLINA
Short description	Recessed spot, GU10
Material	Aluminium
Colour	White
Type of surface	Structure
Shape	Square
Built-in width	75 mm
Built-in length	75 mm
Installation depth	125 mm
Length	87 mm
Width	87 mm
Height	3 mm
Weight	0.200 kg

Operating technology of the luminaire	
System output	50 W
Voltage type	AC
AC nominal voltage max	230 V
Frequenz max.	50 Hz
Lamp	For LED-retrofill lamp
Lamp holder	GU10
Protection class	II
Degree of protection	IP20
Control	Other
Bulb change possible	Yes

Mounting technology	
Mounting method	Recessed mounting
Place of installation	Ceiling-mounted
Adjustability	Rotable and pivoted
Swivel angle	30°
Rotation angle	355°
Max. ceiling thickness	18 mm
Further references	No cover with thermal insulation material
Material cover	Without cover
Circlip	Without circlip

Packing data	
Gross weight	0.265 kg
Length of packaging	140 mm
Packaging width	110 mm
Packaging height	120 mm
Disposal at end of life	This product must not be disposed of with household waste. You are obliged, to dispose of such electrical waste separately. By disposing of electrical waste and other old or defective electronics separately, you support recycling or other forms of re-use. In that way you help to take care and to avoid that harmful substances get into the environment.