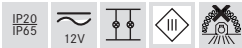
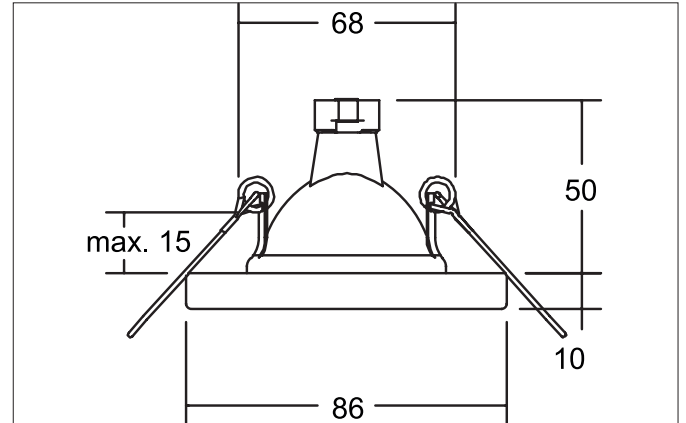


SYDEL Recessed downlight, IP65, GX5,3
Article no. 2264.22

Light.
For Generations.



Tender

Recessed downlight, IP65, GX5,3, stainless steel matt, Round. In a compact design, for installation in tool-less rapid assembly systems. Mounting method: Recessed mounting, Place of installation: Ceiling-mounted, Material: Stainless steel / Glass, Degree of protection: according to DIN EN 60529 IP65, Protection class: (EN 61140) III, Voltage: 12V, Power: 35 W, Amount of light sources / fittings: 1 Qty, Adjustability: Not adjustable, without control gear, Dimmable: Depending on type of control gear, Control: Depending on driver.

Article data	
Article no.	2264.22
GTIN	4250047728566
Series name	SYDEL
Short description	Recessed downlight, IP65, GX5,3
Material	Stainless steel / Glass
Colour	Stainless steel
Type of surface	Matt
Shape	Round
Outer diameter	85 mm
Built-in diameter	68 mm
Installation depth	50 mm
Height	10 mm
Weight	0.110 kg
Conformance	CE, UKCA

SYDEL Recessed downlight, IP65, GX5,3

Article no. 2264.22

Light.
For Generations.

Operating technology of the luminaire	
System output	35 W
Voltage type	AC/DC
AC nominal voltage max	12 V
Frequency max	50 Hz
Lamp	For LED-retrofill lamp
Lamp holder	GX5.3
Protection class	III
Degree of protection	IP65
Protection class on the ceiling side	IP20
Dimmable	Depending on type of control gear
Control	Depending on driver
Bulb change possible	Yes

Mounting technology	
Mounting method	Recessed mounting
Place of installation	Ceiling-mounted
Adjustability	Not adjustable
Max. ceiling thickness	15 mm
Further references	No cover with thermal insulation material
Material cover	Glass, satinised

Packing data	
Gross weight	0.125 kg
Length of packaging	85 mm
Packaging width	43 mm
Packaging height	84 mm
Disposal at end of life	This product must not be disposed of with household waste. You are obliged, to dispose of such electrical waste separately. By disposing of electrical waste and other old or defective electronics separately, you support recycling or other forms of re-use. In that way you help to take care and to avoid that harmful substances get into the environment.