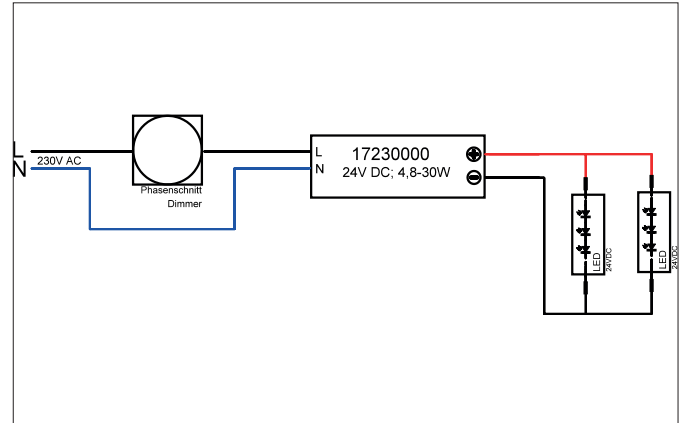


**LED power supply 24 V DC, dimmable**  
 Article no. 17230000

**Tender**

LED power supply 24 V DC, dimmable, white, Rectangular. Material: Plastic, Degree of protection: according to DIN EN 60529 IP20, Protection class: (EN 61140) II, Voltage: 24 V DC, Power: 30 W, Dimmable: Yes, Control: Trailing-edge phase.

Article data	
Article no.	17230000
GTIN	4251433938163
Short description	LED power supply 24 V DC, dimmable
Material	Plastic
Colour	White
Shape	Rectangular
Length	145 mm
Width	50 mm
Height	22 mm
Weight	0.181 kg
stamp	ENEC, MM
Conformance	CE

**LED power supply 24 V DC, dimmable**

Article no. 17230000

Operating technology of driver	
AC nominal voltage min	198 V
AC nominal voltage max	264 V
Frequency min	50 Hz
Frequency max	60 Hz
Protection class	II
Degree of protection	IP20
Power min	5 W
Power max.	30 W
Output_ripple_current	300
Starting current	20 A, 200 µs
Suitable for emergency lighting	No
measure point (tc)	85 °C
Power factor	0.95
max. no. lights on B10 A	23
max. no. lights on B16 A	36
Output voltage max	24.00 V
Output voltage min.	24.00 V
Control	Trailing-edge phase
Connection type-primary	Screw-in connection
Connection type-secondary	Screwed terminal
Number of poles	3
Environment temperature (ta)	-10 °C bis +45 °C
Average nominal lifespan	30000 h
Output current	1,25 A mA

Packing data	
Gross weight	0.207 kg
Length of packaging	55 mm
Packaging width	30 mm
Packaging height	15 mm
Disposal at end of life	<p>This product must not be disposed of with household waste. You are obliged, to dispose of such electrical waste separately.</p> <p>By disposing of electrical waste and other old or defective electronics separately, you support recycling or other forms of re-use. In that way you help to take care and to avoid that harmful substances get into the environment.</p>