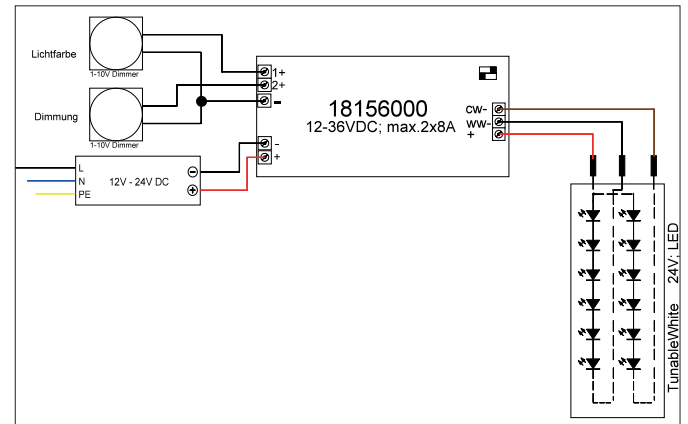
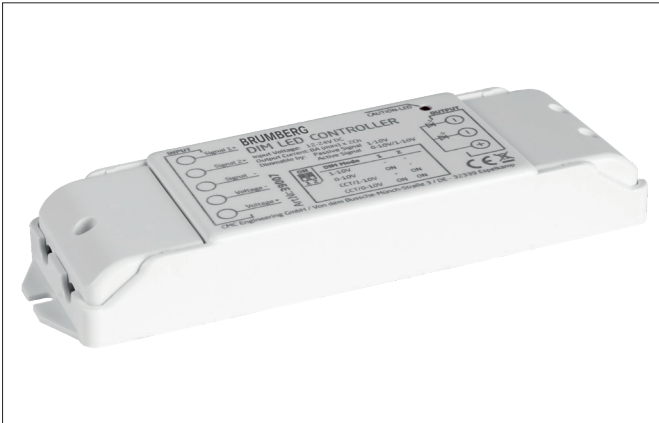


**TunableWhite LED dimmer 12-24 V DC, 2x 1-10 V**  
 Article no. 18156000

**Tender**

TunableWhite LED dimmer 12-24 V DC, 2x 1-10 V, white. Two-channel (one or more colors) LED dimmer for constant voltage operation (12-24 V DC). Wiring is carried out using screw terminals. Cable cross-section: 0.5 - 2.5 mm<sup>2</sup>. An external power supply is required for operation. Output signal (dimming): PWM (pulse width modulation). With protection against overload and short-circuit, maximum output power: 2 x 192 W. The device can use two 1-10-V signals for dimming either two independent lamp groups, or for adjusting and dimming the color temperatures of one TunableWhite group. Material: Plastic, Degree of protection: according to DIN EN 60529 IP20, Protection class: (EN 61140) III, Voltage: 12V 24V, Control: 1-10 V.

Article data	
Article no.	18156000
GTIN	4251433920656
Short description	TunableWhite LED dimmer 12-24 V DC, 2x 1-10 V
Material	Plastic
Colour	White
Length	167 mm
Width	51 mm
Height	23 mm
Weight	0.097 kg
Conformance	UKCA

**TunableWhite LED dimmer 12-24 V DC, 2x 1-10 V**  
 Article no. 18156000

Operating technology of driver	
Protection class	III
Degree of protection	IP20
Control	1-10 V
Environment temperature (ta)	0°C up to 40°C
Measure point (tc)	max. +75 °C

Packing data	
Gross weight	0.117 kg
Length of packaging	175 mm
Packaging width	57 mm
Packaging height	28 mm
Disposal at end of life	<p>This product must not be disposed of with household waste. You are obliged, to dispose of such electrical waste separately.</p> <p>By disposing of electrical waste and other old or defective electronics separately, you support recycling or other forms of re-use. In that way you help to take care and to avoid that harmful substances get into the environment.</p>