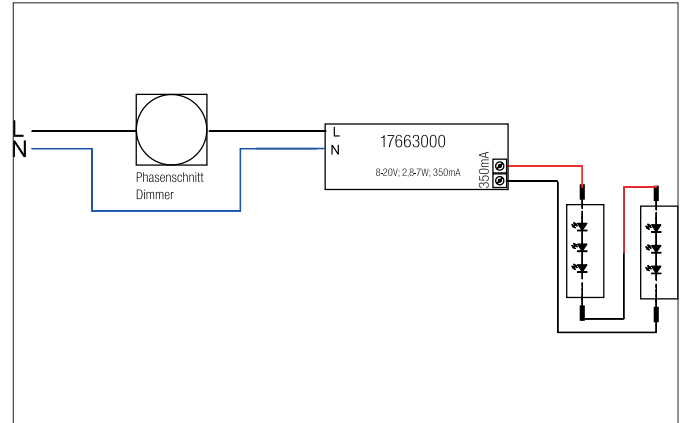
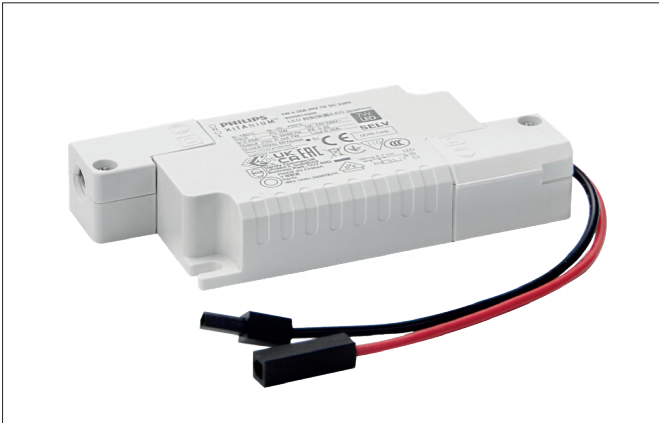


LED converter 350 mA, trailing-edge phase dimmable
 Article no. 17663000

Tender

LED converter 350 mA, trailing-edge phase dimmable, white, Rectangular. This converter is equipped with safety devices which protect it against overvoltage, short-circuit as well as thermal and electric overloads. The input and output terminals are suitable for cables with a cross-section of up to 1.5 mm². Material: Plastic, Degree of protection: according to DIN EN 60529 IP20, Protection class: (EN 61140) II, Current: 350 mA, Voltage: 230V AC 50Hz, Power: 7 W, Dimmable: Yes, Control: Trailing-edge phase.

Article data	
Article no.	17663000
GTIN	4251433918455
Short description	LED converter 350 mA, trailing-edge phase dimmable
Material	Plastic
Colour	White
Shape	Rectangular
Length	110 mm
Width	50 mm
Height	19 mm
Scope of delivery	Plug&Play-Ausgangsleitung, Länge 110 mm
Weight	0.059 kg
stamp	ENEC 05
Conformance	CE

LED converter 350 mA, trailing-edge phase dimmable

Article no. 17663000

Operating technology of driver	
AC nominal voltage min	198 V
AC nominal voltage max	264 V
Frequency min	50 Hz
Frequency max	60 Hz
Protection class	II
Degree of protection	IP20
Power min	2.8 W
Power	7 W
Output_ripple_current	20
Starting current	1 A, 15,2 μ s
Suitable for emergency lighting	No
measure point (tc)	70 °C
Version	Plug&Play
Power factor	0.9
max. no. lights on B16 A	250
Output voltage max	20.00 V
Output voltage min.	8.00 V
Flicker value Pst LM	1.00
Control	Trailing-edge phase
Number of poles	2
Flicker-free	Yes
Environment temperature (ta)	0°C up to 40°C
Measure point (tc)	max. +80 °C
Average nominal lifespan	50000 h
Output current	350 mA
Efficiency	0.78

Packing data	
Gross weight	0.078 kg
Length of packaging	60 mm
Packaging width	27 mm
Packaging height	150 mm
Disposal at end of life	<p>This product must not be disposed of with household waste. You are obliged, to dispose of such electrical waste separately.</p> <p>By disposing of electrical waste and other old or defective electronics separately, you support recycling or other forms of re-use. In that way you help to take care and to avoid that harmful substances get into the environment.</p>