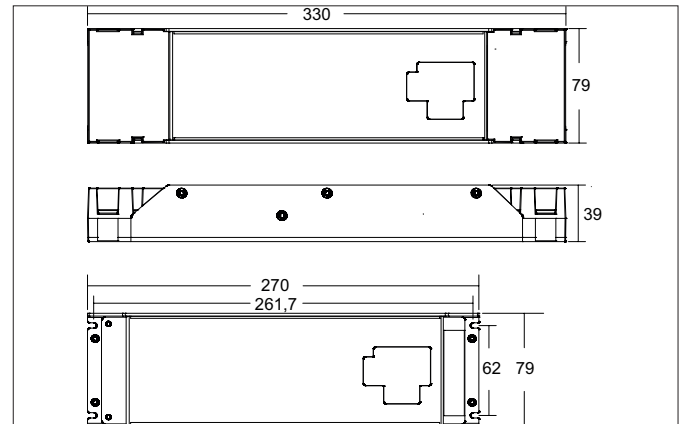


**LED power supply 24 V DC, 4 channel, DALI-2 / DALI-DT8 dimmable**

Article no. 17291000

Light.  
For Generations.**Tender**

LED power supply 24 V DC, 4 channel, DALI-2 / DALI-DT8 dimmable, , Rectangular. Material: Aluminium / Plastic, Degree of protection: according to DIN EN 60529 IP20, Protection class: (EN 61140) I, Voltage: 230V AC 50Hz, Power: 200 W, Dimmable: Yes, Control: DALI-2 .

**Product Benefits**

- LED power supply 24 V DC incl. DALI dimmer.
- 4 channel LED dimmer.
- Control via DALI DT8, TunableWhite and RGBW
- sec. Power max. 200 Watt

Article data	
Article no.	17291000
GTIN	4251433988823
Short description	LED power supply 24 V DC, 4 channel, DALI-2 / DALI-DT8 dimmable
Material	Aluminium / Plastic
Colour	Silver
Shape	Rectangular
Length	330 mm
Width	79 mm
Hight	39 mm
Weight	0.931 kg

**LED power supply 24 V DC, 4 channel, DALI-2 / DALI-DT8 dimmable**

Article no. 17291000

Light.  
For Generations.

Operating technology of driver	
AC nominal voltage min	100 V
AC nominal voltage max	240 V
Frequency min	50 Hz
Frequency max	60 Hz
Protection class	I
Degree of protection	IP20
Starting current	65 A
Power min	1 W
Power	200 W
Suitable for emergency lighting	No
Control	DALI-2 , DALI-DT8
Power factor	0.98

Packing data	
Gross weight	1 kg
Length of packaging	345 mm
Packaging width	88 mm
Packaging height	47 mm
Disposal at end of life	This product must not be disposed of with household waste. You are obliged, to dispose of such electrical waste separately. By disposing of electrical waste and other old or defective electronics separately, you support recycling or other forms of re-use. In that way you help to take care and to avoid that harmful substances get into the environment.