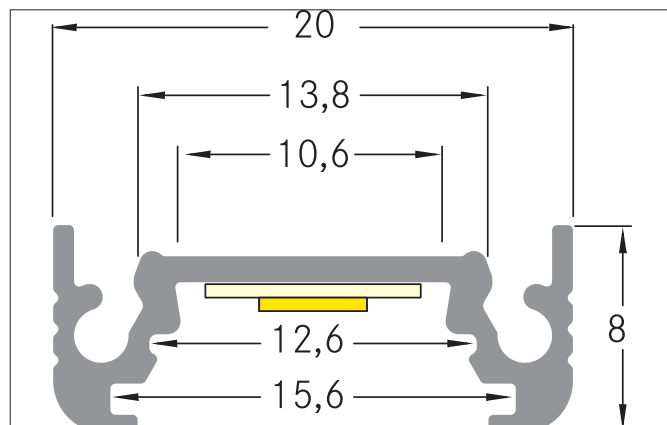


P01-10 Surface-mounted profile

Article no. 53600070


Tender

Surface-mounted profile, white. For optimal attachment of the profile this holders are suitable 53001000. For connecting of two profiles is the connector 53005000 optimal suited. With the use of profile covers 53400000 53400070 53400080 the additional mechanical protection and optimal light distribution can be achieved. The associated end cap set is under 53110070 available. Additionally the corner connector 53051070 can easily be used to create a 90 ° angle. Mounting method: Mounting profile. Material: Aluminium, dimensions profile: length: 2.000 mm x width: 20 mm x height: 8 mm

Product Benefits

- Flat, compact surface-mounted profile.
 - Available in white and anodized aluminum.
 - Up to 4 meters in length in one piece.
- (For deliveries beyond 2000 mm: Please ask for delivery costs separately).
- Extensive accessories.
 - Connecting piece 90° for rectangular application.

Article data	
Article no.	53600070
GTIN	4251433913078
Series name	P01-10
Short description	Surface-mounted profile
Material	Aluminium
Colour	White
Type of surface	Matt
Length	2,000 mm
Width	20 mm
Hight	8 mm
Weight	0.430 kg
Conformance	CE, UKCA

P01-10 Surface-mounted profile

Article no. 53600070

Packing data	
Gross weight	0.81 kg
Length of packaging	30 mm
Packaging width	30 mm
Packaging height	2,000 mm
Note	Please note that the materials aluminium and PMMA or PC can expand differently with changes in temperature! At a temperature change of 10°C, the coefficient of expansion is approx. aluminium is approx. 0.7mm per metre, for plastic approx. 1.5mm per metre. This is not a defect in the product, this is a normal physical process.
Disposal at end of life	This product must not be disposed of with household waste. You are obliged, to dispose of such electrical waste separately. By disposing of electrical waste and other old or defective electronics separately, you support recycling or other forms of re-use. In that way you help to take care and to avoid that harmful substances get into the environment.