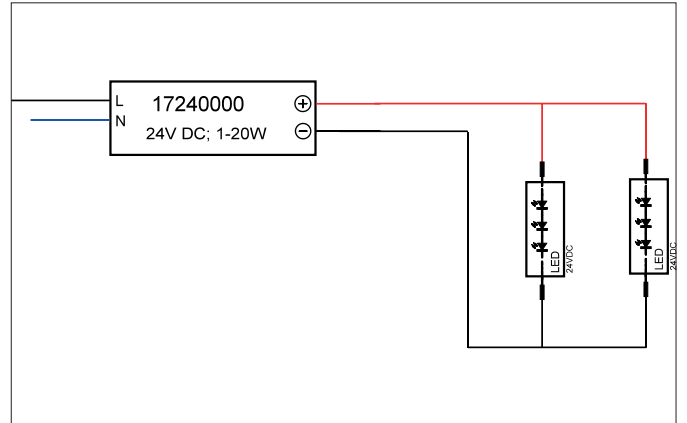
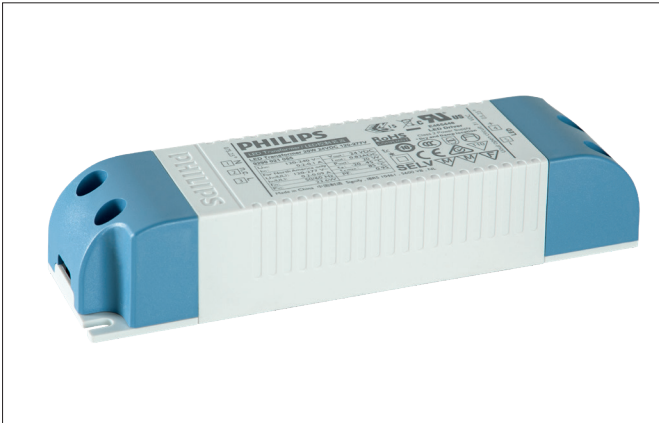


LED power supply 24 V DC, on/off switchable
 Article no. 17240000

Tender

LED power supply unit 24 V DC, switchable, rectangular. Material: Plastic, Protection rating on room side: to DIN EN 60529: IP20, Protection class: (EN 61140) II, Voltage: 230V AC 50Hz, Power: 20 W, Dimmable: No, Type of dimming: switchable.

Article data

Article no.	17240000
GTIN	4251433939047
Short description	LED power supply 24 V DC, on/off switchable
Material	Plastic
Shape	Rectangular
Length	150 mm
Width	40 mm
Height	30 mm
Weight	0.113 kg
stamp	ENEC, MM
Conformance	CE

LED power supply 24 V DC, on/off switchable

Article no. 17240000

Operating technology of driver	
AC nominal voltage min	120 V
AC nominal voltage max	277 V
Frequency min	50 Hz
Frequency max	60 Hz
Protection class	II
Degree of protection	IP20
Power min	1 W
Power max.	20 W
Output_ripple_current	2
Starting current	11,1 A, 250 µs
Suitable for emergency lighting	No
measure point (tc)	85 °C
Power factor	0.98
max. no. lights on B10 A	30
max. no. lights on B16 A	48
max. no. lights on C16 A	81
max. no. lights on C10 A	50
Output voltage max	25.20 V
Output voltage min.	22.80 V
Control	on/off
Connection type-primary	Screw-in connection
Connection type-secondary	Screwed terminal
Number of poles	2
Environment temperature (ta)	-20°C up to +45°C
Measure point (tc)	max. +85°C
Average nominal lifespan	50000 h
Output current	0,1 - 0,83 mA

Packing data	
Gross weight	0.136 kg
Length of packaging	45 mm
Packaging width	35 mm
Packaging height	160 mm
Disposal at end of life	<p>This product must not be disposed of with household waste. You are obliged, to dispose of such electrical waste separately.</p> <p>By disposing of electrical waste and other old or defective electronics separately, you support recycling or other forms of re-use. In that way you help to take care and to avoid that harmful substances get into the environment.</p>