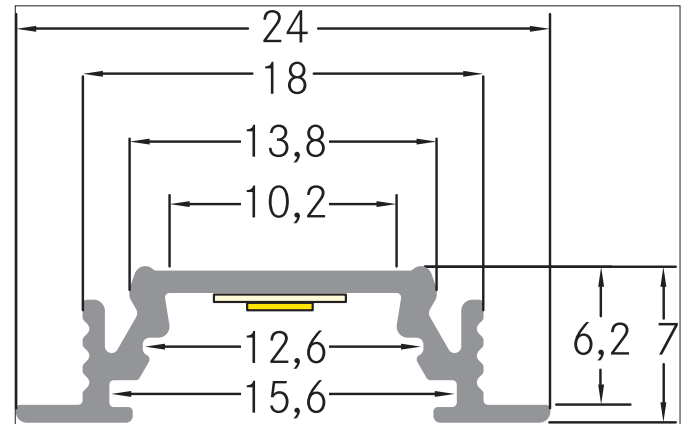


**P31-10 Recessed profile**

Article no. 5365 1070

Light.  
For Generations.**Tender**

Recessed profile, white. For optimal attachment of the profile this holders are suitable 53001000 53002000 53008000. For connecting of two profiles is the connector optimal suited. With the use of profile covers 53400000 53400070 the additional mechanical protection and optimal light distribution can be achieved. The associated end cap set is under 53161070 available. Additionally the corner connector 53061070 can easily be used to create a 90 ° angle. for Mounting method: Recessed profile, Material: Aluminium, dimensions profile: length: 2.000 mm x width: 24 mm x height: 7 mm .

**Product Benefits**

- Flat, compact installation profile.
- Connector 90° for rectangular application.
- Available in white and anodized aluminum.
- Up to 4 meters in length in one piece. (For deliveries beyond 2000 mm: Please ask for delivery costs separately).
- Extensive accessories.

Article data	
Article no.	53651070
GTIN	4251433911647
Series name	P31-10
Short description	Recessed profile
Material	Aluminium
Colour	White
Type of surface	Matt
Length	2,000 mm
Width	24 mm
Height	7 mm
Weight	0.220 kg

**P31-10 Recessed profile**

Article no. 5365 1070

Light.  
For Generations.

Packing data	
Gross weight	0.455 kg
Length of packaging	2,020 mm
Packaging width	40 mm
Packaging height	40 mm
Note	Please note that the materials aluminium and PMMA or PC can expand differently with changes in temperature! At a temperature change of 10°C, the coefficient of expansion is approx. aluminium is approx. 0.7mm per metre, for plastic approx. 1.5mm per metre. This is not a defect in the product, this is a normal physical process.
Disposal at end of life	This product must not be disposed of with household waste. You are obliged, to dispose of such electrical waste separately. By disposing of electrical waste and other old or defective electronics separately, you support recycling or other forms of re-use. In that way you help to take care and to avoid that harmful substances get into the environment.