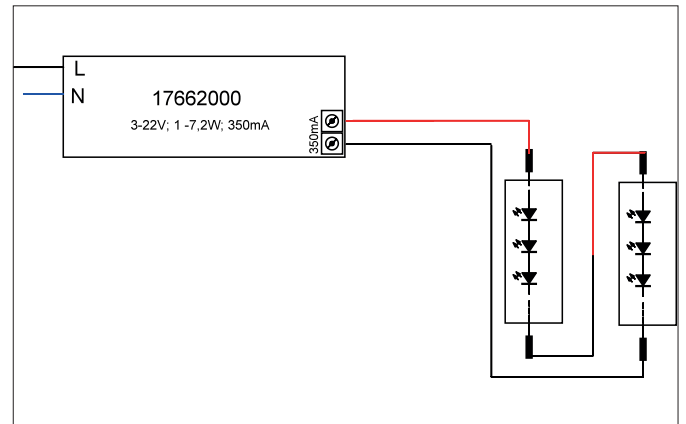


LED converter 350 mA, on/off switchable

Article no. 17662000

Light.
For Generations.



Tender

LED converter 350 mA, on/off switchable, black, Rectangular. This converter is equipped with safety devices which protect it against over-voltage, short-circuit as well as thermal and electric overloads. The input and output terminals are suitable for cables with a cross-section of up to 1.5 mm². Material: Plastic, Degree of protection: according to DIN EN 60529 IP20, Protection class: (EN 61140) II, Current: 350 mA, Voltage: 230V AC 50Hz, Power: 7.2 W, Dimmable: No, Control: on/off.

Article data	
Article no.	17662000
GTIN	4251433918387
Short description	LED converter 350 mA, on/off switchable
Material	Plastic
Colour	Black
Shape	Rectangular
Length	68 mm
Width	35 mm
Height	21 mm
Scope of delivery	Plug&Play-Ausgangsleitung, Länge 110 mm
Weight	0.043 kg
stamp	MM
Conformance	CE

LED converter 350 mA, on/off switchable

Article no. 17662000

Light.
For Generations.

Operating technology of driver	
AC nominal voltage min	90 V
AC nominal voltage max	264 V
Frequency min	50 Hz
Frequency max	60 Hz
Protection class	II
Degree of protection	IP20
Power min	1 W
Power max.	7.2 W
Output_ripple_current	50
Starting current	10 A (max. 10 ms)
Suitable for emergency lighting	No
measure point (tc)	75 °C
Version	Plug&Play
Power factor	0.4
Output voltage max	22.00 V
Output voltage min.	3.00 V
Control	on/off
Number of poles	2
Flicker-free	Yes
Environment temperature (ta)	-20°C up to +50°C
Measure point (tc)	max. +75 °C
Average nominal lifespan	35000 h
Output current	350 mA

Packing data	
Gross weight	0.057 kg
Length of packaging	45 mm
Packaging width	40 mm
Packaging height	80 mm
Disposal at end of life	This product must not be disposed of with household waste. You are obliged, to dispose of such electrical waste separately. By disposing of electrical waste and other old or defective electronics separately, you support recycling or other forms of re-use. In that way you help to take care and to avoid that harmful substances get into the environment.