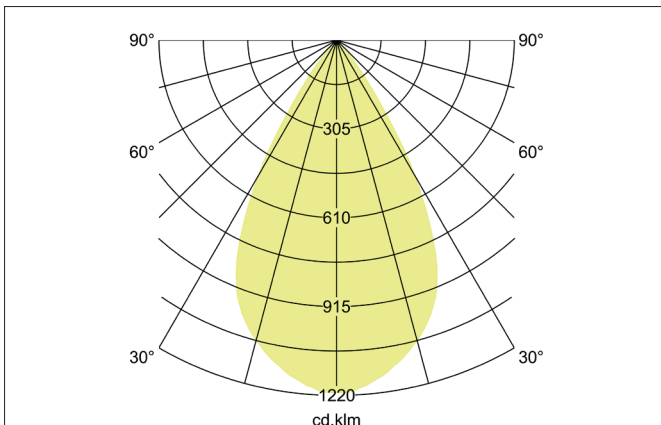
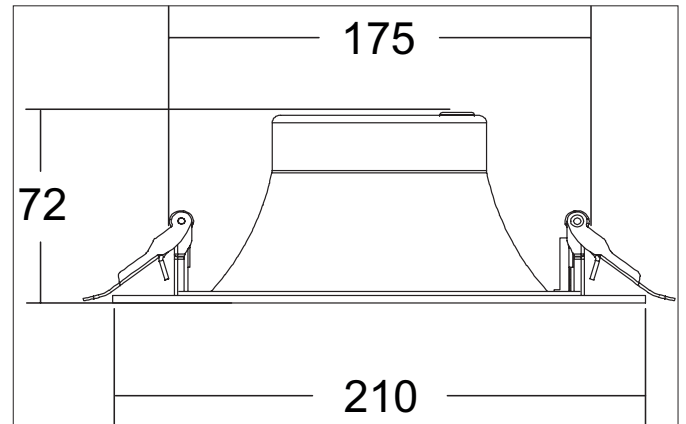


**DIOS MINI LED recessed downlight, switchable**

Article no. 40671163

Light.  
For Generations.**Tender**

LED recessed downlight, switchable, Round. Toolless ceiling installation by installation springs. Ceiling cut-out  $\varnothing$  195 mm, Installation depth 72 mm, Outer diameter 210 mm, Weight 0,400 kg. Reflector white with rotationssymmetrical, deep, wide distributed light intensity. optimal light distribution due to a plastic, transparent cover. Luminous flux 1.280 lm, UGR < 16, Power 1 x 9,7 W, Light colour warm white, Correlated color temprature (CCT) 3.000 K, Colour rendering index CRI > 90, Rated life time L80/B10 at 25 °C: 50000 h, Rated life time L80/B50 at 25 °C: 50000 h, Housing material: Aluminium / Glass / Plastic, Colour: Silver structure, Permissible ambient temperature (ta): -20 °C - +25 °C, Protection class (EN 61140): II, Degree of protection (DIN EN 60529): IP20, .With electronic driver, on/off switchable.

| Article data          |                                    |
|-----------------------|------------------------------------|
| Article no.           | 40671163                           |
| GTIN                  | 4251433995494                      |
| Series name           | DIOS MINI                          |
| Short description     | LED recessed downlight, switchable |
| Material              | Aluminium / Glass / Plastic        |
| Colour                | Silver                             |
| Type of surface       | Structure                          |
| Shape                 | Round                              |
| Outer diameter        | 210 mm                             |
| Built-in diameter_min | 175 mm                             |
| Built-in diameter     | 195 mm                             |
| Installation depth    | 72 mm                              |
| Weight                | 0.400 kg                           |

**DIOS MINI LED recessed downlight, switchable**

Article no. 40671163

Light.  
For Generations.

| Lighting technology          |           |
|------------------------------|-----------|
| Colour temperature           | 3.000 K   |
| Light colour                 | White     |
| Light output                 | Direct    |
| Luminous flux                | 1,280 lm  |
| System efficiency            | 132 lm/W  |
| Colour rendering             | CRI > 90  |
| Reflector                    | Matt      |
| Reflector colour             | silver    |
| Beam angle                   | 58°       |
| Glare evaluation             | UGR < 16  |
| Light sharing                | Symmetric |
| Adjustable color temperature | No        |

| Operating technology of the luminaire |  |
|---------------------------------------|--|
| System output                         | 9.7 W  |
| Voltage type                          | AC   |
| AC nominal voltage max                | 230 V  |
| Frequency max                         | 50 Hz  |
| Lamp                                  | LED  |
| Lamp holder                           | Without fitting  |
| Protection class                      | II   |
| Degree of protection                  | IP20   |
| Control                               | on/off   |
| Bulb change possible                  | The light source of this luminaire may only be replaced by the manufacturer or a service technician commissioned by him or a similarly qualified person. |
| Rated life time L80/B10 at 25 °C      | 50000 h  |
| Rated life time L80/B50 at 25 °C      | 50000 h  |

| Mounting technology   |   |
|-----------------------|---|
| Mounting method       | Recessed mounting                         |
| Place of installation | Ceiling-mounted                           |
| Adjustability         | Not adjustable                            |
| stamp                 | UKCA                                      |
| Further references    | No cover with thermal insulation material |
| Material cover        | Plastic, transparent                      |

| Packing data            |   |
|-------------------------|---|
| Gross weight            | 0.9 kg  |
| Length of packaging     | 230 mm  |
| Packaging width         | 230 mm  |
| Packaging height        | 100 mm  |
| Disposal at end of life | This product must not be disposed of with household waste. You are obliged, to dispose of such electrical waste separately.<br>By disposing of electrical waste and other old or defective electronics separately, you support recycling or other forms of re-use. In that way you help to take care and to avoid that harmful substances get into the environment. |

| Accessories |  |
|-------------|--|
|-------------|--|