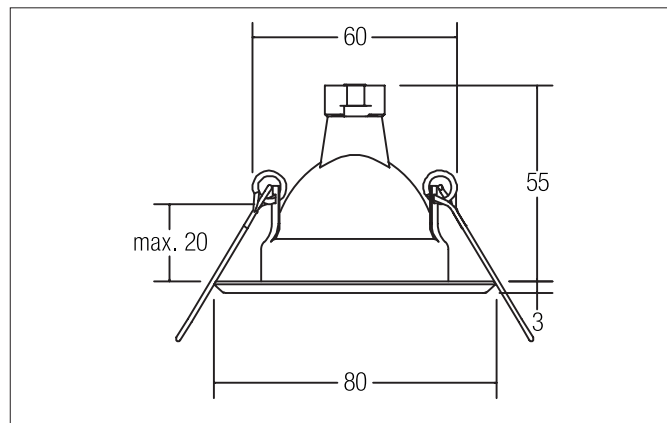



ILARIO Einbaudownlight, MR16

Article no. 2017.02


Tender

Einbaudownlight, MR16, glossy chrome, Round. In a compact design, for installation in tool-less rapid assembly systems. Lamp holder: GX5.3, Mounting method: Recessed mounting, Place of installation: Ceiling-mounted, Material: Steel, Degree of protection: according to DIN EN 60529 IP20, Protection class: (EN 61140) III, Voltage: 12 V, Power: 13 W, Amount of light sources / fittings: 1 Qty, Adjustability: Not adjustable, without control gear, Dimmable: Depending on type of control gear, Control: Depending on driver.

Product Benefits

- Rundes Einbaudownlight aus Stahl.
- Für LED-Retrofit-Lampe GX5,3.
- Einfache und werkzeuglose Montage.
- Dimmbar bei Verwendung von entsprechendem Zubehör.
- Durchmesser 80 mm, Deckenausschnitt 60 mm, Einbautiefe 55 mm, Deckenstärke max. 20 mm.
- Erhältlich in den Farbausführungen chrom glänzend, chrom matt, weiss glänzend und gold glänzend.


ILARIO Einbaudownlight, MR16

Article no. 2017.02

Article data	
Article no.	2017.02
GTIN	4250047706717
Series name	ILARIO
Short description	Einbaudownlight, MR16
Material	Steel
Colour	chrome glossy
Type of surface	Glossy
Shape	Round
Outer diameter	80 mm
Built-in diameter	60 mm
Installation depth	55 mm
Hight	3 mm
Weight	0.042 kg
stamp	ENEC 05
Conformance	CE, UKCA

Operating technology of the luminaire	
System output	13 W
Voltage type	AC/DC
AC nominal voltage max	12 V
Frequency max	50 Hz
Lamp	For LED-retrofill lamp
Lamp holder	GX5.3
Protection class	III
Degree of protection	IP20
Dimmable	Depending on type of control gear
Control	Depending on driver
Bulb change possible	Yes
Energy efficiency class	nicht erforderlich

Mounting technology	
Mounting method	Recessed mounting
Place of installation	Ceiling-mounted
Adjustability	Not adjustable
Max. ceiling thickness	20 mm
Further references	No cover with thermal insulation material
Material cover	Without cover
Circlip	With circlip

Packing data	
Gross weight	0.061 kg
Length of packaging	85 mm
Packaging width	35 mm
Packaging hight	84 mm
Disposal at end of life	<p>This product must not be disposed of with household waste. You are obliged, to dispose of such electrical waste separately.</p> <p>By disposing of electrical waste and other old or defective electronics separately, you support recycling or other forms of re-use. In that way you help to take care and to avoid that harmful substances get into the environment.</p>



ILARIO Einbaudownlight, MR16

Article no. 2017.02

Optional accessories

Article no.: 5366

Bügel mit Fassung GX5,3, mit Zugentlastung

https://www.brumberg.com/fileadmin/products/Datenblatt_00536600_2021_DE.pdf

Article no.: 5358

Bügel mit Fassung GZ10, mit Zugentlastung

https://www.brumberg.com/fileadmin/products/Datenblatt_00535800_2021_DE.pdf

Article no.: 81204020

Reduzierring D = 110 mm, für Leuchteneinschnittsmaß = 68 mm

https://www.brumberg.com/fileadmin/products/Datenblatt_81204020_2021_DE.pdf

Article no.: 81205020

Reduzierring D = 130 mm, für Leuchteneinschnittsmaß = 68 mm

https://www.brumberg.com/fileadmin/products/Datenblatt_81205020_2021_DE.pdf

Article no.: 81206020

Reduzierring D = 145 mm, für Leuchteneinschnittsmaß = 68 mm

https://www.brumberg.com/fileadmin/products/Datenblatt_81206020_2021_DE.pdf