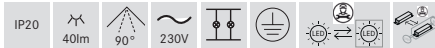
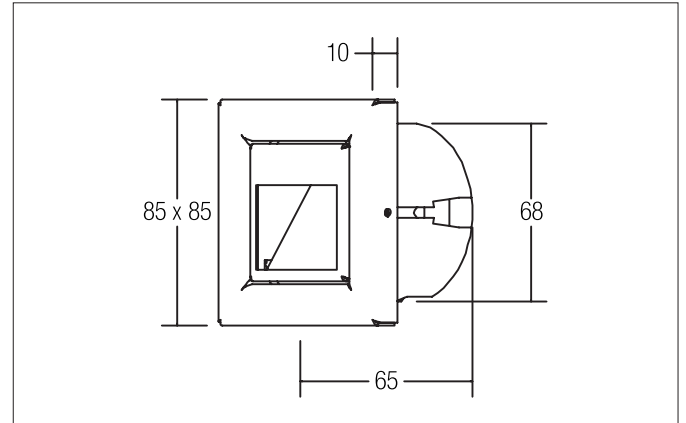


TIBELL-S LED wall recessed light

Article no. 10129203

Light.
For Generations.**Tender**

LED wall recessed light, Square. Ceiling cut-out Ø 68 mm, Installation depth 65 mm, Length 85 mm, Width 85 mm, Weight 0,400 kg, asymmetric optimal light distribution due to a Other cover. Luminous flux 40 lm, Power 1 x 1,2 W, Light colour warm white, Correlated color temperature (CCT) 3.000 K, Colour rendering index CRI > 80, Housing material: Stainless steel / Aluminium / Plastic, Colour: Stainless steel, Permissible ambient temperature (ta): -20 °C - +25 °C, Protection class (EN 61140): I, Degree of protection (DIN EN 60529): IP20, .With electronic driver, on/off switchable.

Article data	
Article no.	10129203
GTIN	4250047767640
Series name	TIBELL-S
Short description	LED wall recessed light
Material	Stainless steel / Aluminium / Plastic
Colour	Stainless steel
Type of surface	Matt
Shape	Square
Built-in diameter	68 mm
Installation depth	65 mm
Length	85 mm
Width	85 mm
Hight	85 mm
Weight	0.400 kg
Conformance	CE, UKCA

TIBELL-S LED wall recessed light

Article no. 10129203

Light.
For Generations.

Lighting technology	
Colour temperature	3.000 K
Light colour	White
Luminous flux	40 lm
System efficiency	33 lm/W
Colour rendering	CRI > 80
Reflector	Matt
Beam angle	90°
Light sharing	Asymmetric
Adjustable color temperature	No

Operating technology of the luminaire	
System output	1.2 W
Voltage type	AC
AC nominal voltage max	230 V
Frequency max	50 Hz
Lamp	LED
Lamp holder	Without fitting
Protection class	I
Degree of protection	IP20
Dimmable	No
Control	on/off
Bulb change possible	The light source of this luminaire may only be replaced by the manufacturer or a service technician commissioned by him or a similarly qualified person.

Operating technology of driver	
Protection class	II
Degree of protection	IP66
Control	on/off
Version	Plug&Play

Mounting technology	
Mounting method	Recessed mounting
Place of installation	Wall-mounted
Adjustability	Not adjustable
Material cover	Other

Packing data	
Gross weight	0.43 kg
Length of packaging	95 mm
Packaging width	75 mm
Packaging height	95 mm
Disposal at end of life	This product must not be disposed of with household waste. You are obliged, to dispose of such electrical waste separately. By disposing of electrical waste and other old or defective electronics separately, you support recycling or other forms of re-use. In that way you help to take care and to avoid that harmful substances get into the environment.