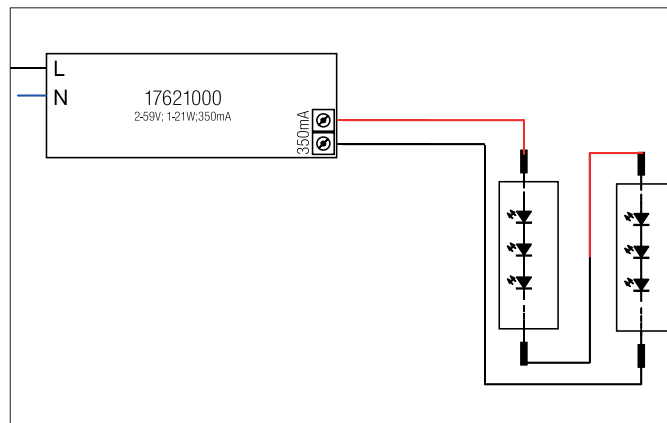


LED converter 350 mA, on/off switchable

Article no. 17621000


Tender

LED converter 350 mA, on/off switchable, , Rectangular. This converter is equipped with safety devices which protect it against overvoltage, short-circuit as well as thermal and electric overloads. The input and output terminals are suitable for cables with a cross-section of up to 1.5 mm². Material: Plastic, Degree of protection: according to DIN EN 60529 IP20, Protection class: (EN 61140) II, Current: 350 mA, Voltage: 230V AC 50Hz, Power: 21 W, Dimmable: No, Control: on/off.

Article data	
Article no.	17621000
GTIN	4251433917724
Short description	LED converter 350 mA, on/off switchable
Material	Plastic
Shape	Rectangular
Length	128 mm
Width	50 mm
Height	13 mm
Scope of delivery	Plug&Play-Ausgangsleitung, Länge 110 mm
Weight	0.072 kg
stamp	ENEC 17
Conformance	CE

LED converter 350 mA, on/off switchable

Article no. 17621000

Operating technology of driver	
AC nominal voltage min	198 V
AC nominal voltage max	264 V
Frequency min	47 Hz
Frequency max	63 Hz
Protection class	II
Degree of protection	IP20
Power min	1 W
Power max.	21 W
Output_ripple_current	50
Starting current	8 A, 500 ms
Suitable for emergency lighting	No
measure point (tc)	110 °C
Version	Plug&Play
Power factor	0.55
max. no. lights on B10 A	11
max. no. lights on B16 A	18
max. no. lights on C16 A	39
max. no. lights on C10 A	24
Output voltage max	59.00 V
Output voltage min.	2.00 V
Control	on/off
Number of poles	2
Flicker-free	Yes
Environment temperature (ta)	0°C up to 40°C
Measure point (tc)	max. +85 °C
Average nominal lifespan	30000 h
Output current	350 mA

Packing data	
Gross weight	0.091 kg
Length of packaging	60 mm
Packaging width	27 mm
Packaging height	150 mm
Disposal at end of life	<p>This product must not be disposed of with household waste. You are obliged, to dispose of such electrical waste separately.</p> <p>By disposing of electrical waste and other old or defective electronics separately, you support recycling or other forms of re-use. In that way you help to take care and to avoid that harmful substances get into the environment.</p>