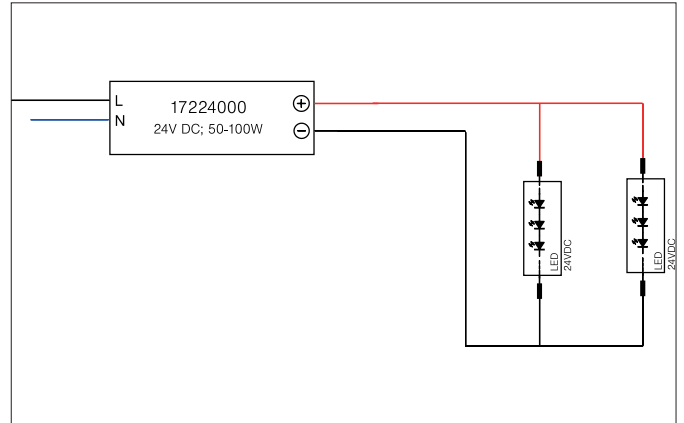


LED power supply 24 V DC, on/off switchable
 Article no. 17224000

Light.
 For Generations.



Tender
 LED power supply 24 V DC, on/off switchable, , Rectangular. This power supply unit is equipped with safety devices which protect it against overvoltage, short-circuit as well as thermal and electric overloads. Material: Aluminium, Degree of protection: according to DIN EN 60529 IP65, Protection class: (EN 61140) I, Voltage: 24 V DC, Power: 100 W, Dimmable: No, Control: on/off.

Article data	
Article no.	17224000
GTIN	4251433913030
Short description	LED power supply 24 V DC, on/off switchable
Material	Aluminium
Shape	Rectangular
Length	199 mm
Width	63 mm
Hight	36 mm
Weight	0.745 kg
Length of the connection line	300 mm
stamp	ENEC 05, MM

LED power supply 24 V DC, on/off switchable

Article no. 17224000

Light.
For Generations.

Operating technology of driver	
AC nominal voltage min	200 V
AC nominal voltage max	305 V
Frequency min	47 Hz
Frequency max	63 Hz
DC nominal voltage min	142 V
DC nominal voltage max	431 V
Output current	4 A mA
Protection class	I
Degree of protection	IP65
max. no. lights on C16 A	6
max. no. lights on B16 A	3
Starting current	60 A (850 µs)
Power min	1 W
Power max.	100 W
Output_ripple_current	200
Suitable for emergency lighting	No
Control	on/off
Environment temperature (ta)	0°C up to 40°C
Measure point (tc)	max. +90 °C
Average nominal lifespan	100000 h
Length of the connection line	300 mm
Power factor	0.95

Packing data	
Gross weight	0.797 kg
Length of packaging	255 mm
Packaging width	85 mm
Packaging height	45 mm
Disposal at end of life	This product must not be disposed of with household waste. You are obliged, to dispose of such electrical waste separately. By disposing of electrical waste and other old or defective electronics separately, you support recycling or other forms of re-use. In that way you help to take care and to avoid that harmful substances get into the environment.